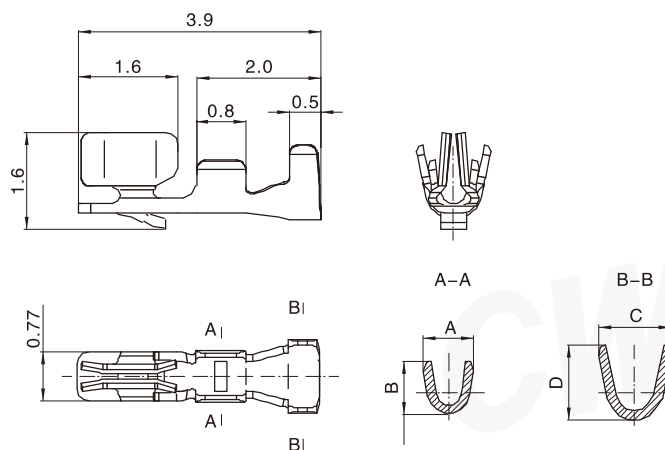


**技术参数 ( Specifications )**

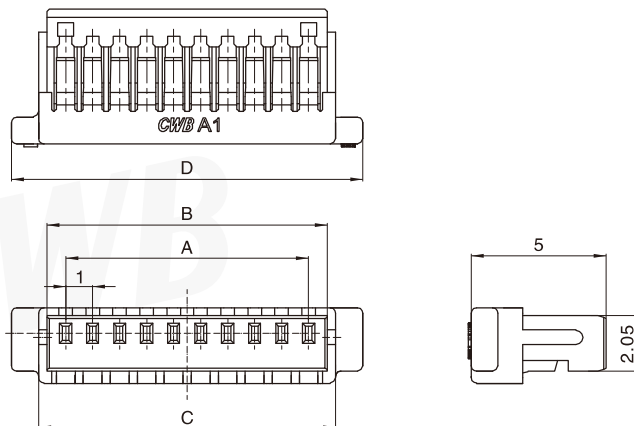
- 适用线规 ( Applicable wires ) : AWG#32~AWG#28
- 适应基板厚度 ( Applicable PC board thickness ) : 0.8~1.6 mm
- 温度范围 ( Temperature range ) : -25°C~85°C
- 额定电压 ( Voltage rating ) : 50V AC/DC
- 额定电流 ( Current rating ) : 1A
- 接触电阻 ( Contact resistance ) :  $\leq 40m\Omega$
- 绝缘电阻 ( Insulation resistance ) :  $\geq 100M\Omega$
- 耐电压 ( Withstand voltage ) : 500V AC/minute

**插簧 Contact**



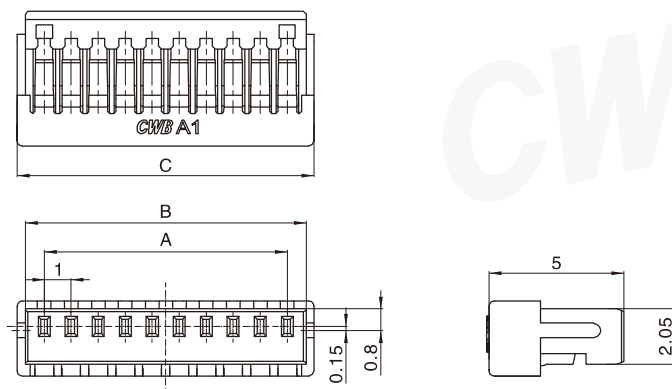
型号 Type	适用导线范围 Wire Range		导线外径 Wire ins.Dis	尺寸 Dimensions (mm)			
	mm <sup>2</sup>	AWG#		A	B	C	D
CH-TJC1004	0.032	32	0.4	0.85	0.85	1.2	1.2
CH-TJC1004-1	0.032 ~ 0.08	32 ~ 28	0.4 ~ 0.8	0.88	0.87	1.3	1.35
材质 · 表面处理 Material and Finish							
磷青铜 镀锡 Phos · bronze Tin · Plated							

**孔座 (A型) Housing (Type A)**



线数 Poles	型号 Type	尺寸 Dimensions (mm)			
		A	B	C	D
2	TJC1004-2Y	1	2.4	3	5
3	TJC1004-3Y	2	3.4	4	6
4	TJC1004-4Y	3	4.4	5	7
5	TJC1004-5Y	4	5.4	6	8
6	TJC1004-6Y	5	6.4	7	9
7	TJC1004-7Y	6	7.4	8	10
8	TJC1004-8Y	7	8.4	9	11
9	TJC1004-9Y	8	9.4	10	12
10	TJC1004-10Y	9	10.4	11	13
材质 Material					
PBT UL94V-0					

孔座 (B型) Housing (Type B)



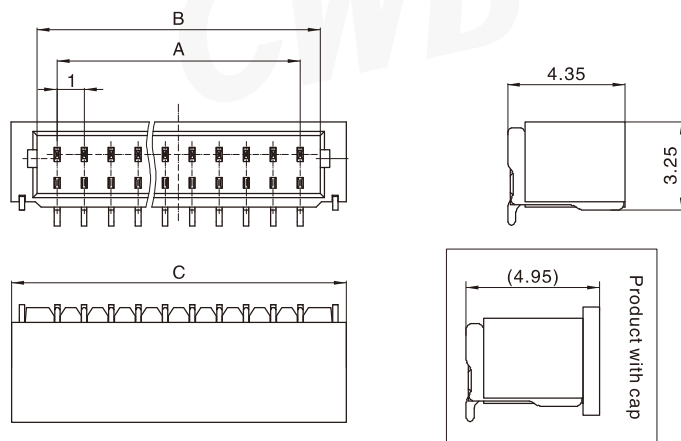
线数 Poles	型号 Type	尺寸 Dimensions (mm)		
		A	B	C
2	TJC1004B-2Y	1	2.4	3
3	TJC1004B-3Y	2	3.4	4
4	TJC1004B-4Y	3	4.4	5
5	TJC1004B-5Y	4	5.4	6
6	TJC1004B-6Y	5	6.4	7
7	TJC1004B-7Y	6	7.4	8
8	TJC1004B-8Y	7	8.4	9
9	TJC1004B-9Y	8	9.4	10
10	TJC1004B-10Y	9	10.4	11
材质 Material				
PBT UL94V-0				

# TJC1004 型条形连接器

## TJC1004 Bar Connector

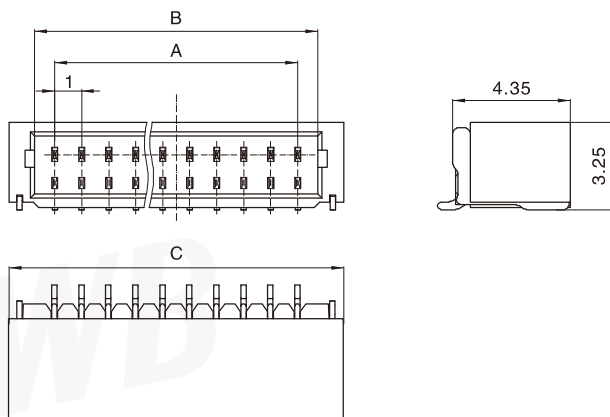
间距 ( space ) :1.0mm

### 阳连接器 (立式, 表面装贴, 带吸嘴盖) Header (V, SMT, With cover)



线数 Poles	型号 Type	尺寸 Dimensions (mm)		
		A	B	C
2	TJC1004-2ABX	1	2.5	4.4
3	TJC1004-3ABX	2	3.5	5.4
4	TJC1004-4ABX	3	4.5	6.4
5	TJC1004-5ABX	4	5.5	7.4
6	TJC1004-6ABX	5	6.5	8.4
7	TJC1004-7ABX	6	7.5	9.4
8	TJC1004-8ABX	7	8.5	10.4
9	TJC1004-9ABX	8	9.5	11.4
10	TJC1004-10ABX	9	10.5	12.4
材质 · 表面处理 Material and Finish				
LCP+GF UL94V-0; 磷青铜 镀锡 Phos · bronze Tin · Plated, 黄铜 镀锡 Brass Tin · Plated				

### 阳连接器 (卧式, 表面装贴) Header (H, SMT)



# TJC1004 型条形连接器

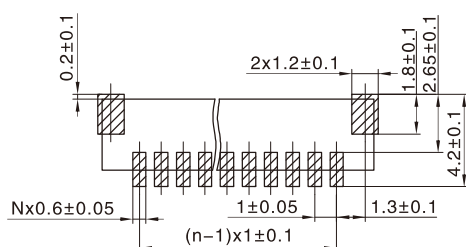
## TJC1004 Bar Connector

间距 ( space ) :1.0mm

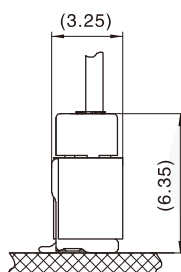
线数 Poles	型号 Type	尺寸 Dimensions (mm)		
		A	B	C
2	TJC1004-2AWB	1	2.5	4.4
3	TJC1004-3AWB	2	3.5	5.4
4	TJC1004-4AWB	3	4.5	6.4
5	TJC1004-5AWB	4	5.5	7.4
6	TJC1004-6AWB	5	6.5	8.4
7	TJC1004-7AWB	6	7.5	9.4
8	TJC1004-8AWB	7	8.5	10.4
9	TJC1004-9AWB	8	9.5	11.4
10	TJC1004-10AWB	9	10.5	12.4
材质 · 表面处理 Material and Finish				
LCP+GF UL94V-0; 磷青铜 镀锡 Phos · bronze Tin · Plated, 黄铜 镀锡 Brass Tin · Plated				

### 安装尺寸 Mounting Measurement

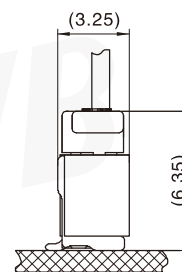
#### TJC1004-nABX



PCB Layout

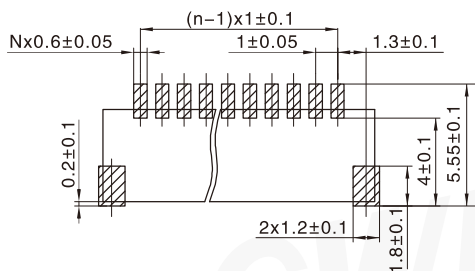


Assembly View  
(TJC1004-nABx&TJC1004B-nY)  
(FYI)

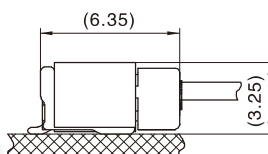


Assembly View  
(TJC1004-nABx&TJC1004-nY)  
(FYI)

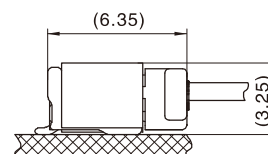
#### TJC1004-nAWB



PCB Layout



Assembly View  
(TJC1004-nAWB&TJC1004B-nY)  
(FYI)



Assembly View  
(TJC1004-nAWB&TJC1004-nY)  
(FYI)