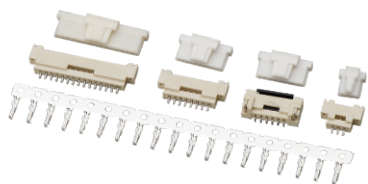

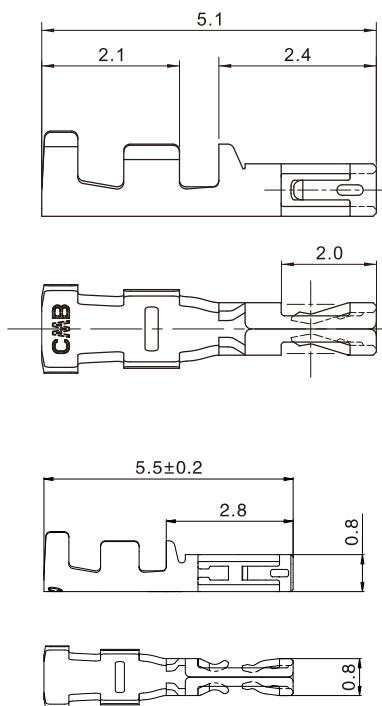


技术参数 (Specifications)



适用线规 (Applicable wires) : AWG#30~AWG#28
 适应基板厚度 (Applicable PC board thickness) : 0.8~1.6 mm
 温度范围 (Temperature range) : -25°C~85°C
 额定电压 (Voltage rating) : 125V AC/DC
 额定电流 (Current rating) : 1A
 接触电阻 (Contact resistance) : ≤30mΩ
 绝缘电阻 (Insulation resistance) : ≥100MΩ
 耐压 (Withstand voltage) : 250V AC/minute
 认证 (Standards) :  E200881

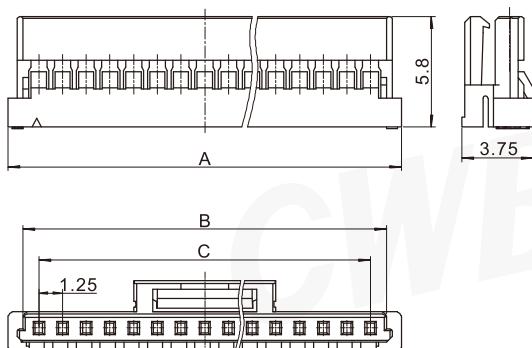
插簧 Contact



型号 Type	适用导线范围 Wire Range		导线外径 Wire ins.Dis
	mm ²	AWG#	
CH-TJC12510	0.05 ~ 0.08	30 ~ 28	1.15 ~ 1.2
材质 · 表面处理 Material and Finish			
磷青铜 Phos · bronze Tin · Plated			

型号 Type	适用导线范围 Wire Range		导线外径 Wire ins.Dis
	mm ²	AWG#	
CH-TJC12510B	0.05 ~ 0.08	30 ~ 28	1.15 ~ 1.2
材质 · 表面处理 Material and Finish			
磷青铜 镀锡 Phos · bronze Tin · Plated			

孔座 Housing

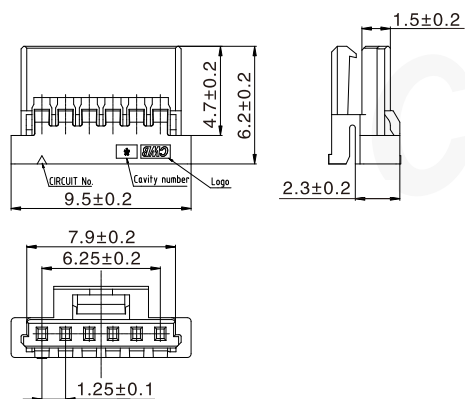


线数 Poles	型号 Type	尺寸 Dimensions (mm)			线数 Poles	型号 Type	尺寸 Dimensions (mm)		
		A	B	C			A	B	C
2	TJC12510-2Y	4.50	2.90	1.25	11	TJC12510-11Y	15.75	14.15	12.50
3	TJC12510-3Y	5.75	4.15	2.50	12	TJC12510-12Y	17.00	15.40	13.75
4	TJC12510-4Y	7.00	5.40	3.75	13	TJC12510-13Y	18.25	16.65	15.00
5	TJC12510-5Y	8.25	6.65	5.00	14	TJC12510-14Y	19.50	17.90	16.25
6	TJC12510-6Y	9.50	7.90	6.25	15	TJC12510-15Y	20.75	19.15	17.50
7	TJC12510-7Y	10.75	9.15	7.50	20	TJC12510-20Y	27.00	25.40	23.75
8	TJC12510-8Y	12.00	10.40	8.75	22	TJC12510-22Y	29.50	27.90	26.25
9	TJC12510-9Y	13.25	11.65	10.00	25	TJC12510-25Y	33.25	31.65	30.00
10	TJC12510-10Y	14.50	12.90	11.25	30	TJC12510-30Y	39.50	37.90	36.25
材质 Material		PBT UL94V-0							

TJC12510 型条形连接器

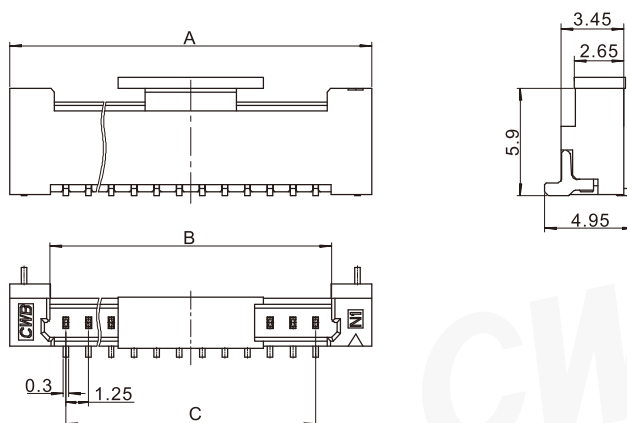
TJC12510 Bar Connector

间距 (space) : 1.25mm



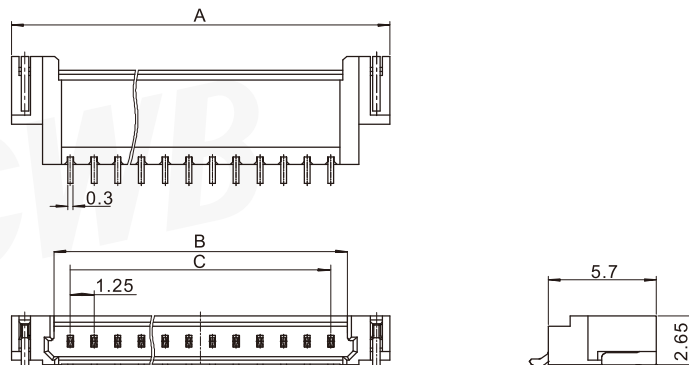
线数 Poles	型号 Type
6	TJC12510B-6Y
材质 · 表面处理 Material and Finish	
PBT UL94 V-0	

阳连接器 (立式, 表面装贴, 带吸嘴盖) Header (V, SMT, With cover)



线数 Poles	型号 Type	尺寸 Dimensions (mm)			线数 Poles	型号 Type	尺寸 Dimensions (mm)		
		A	B	C			A	B	C
3	TJC12510-3ABX	8.70	4.25	2.50	10	TJC12510-10ABX	17.45	13.00	11.25
4	TJC12510-4ABX	9.95	5.50	3.75	11	TJC12510-11ABX	18.70	14.25	12.50
5	TJC12510-5ABX	11.20	6.75	5.00	12	TJC12510-12ABX	19.95	15.50	13.75
6	TJC12510-6ABX	12.45	8.00	6.25	13	TJC12510-13ABX	21.20	16.75	15.00
7	TJC12510-7ABX	13.70	9.25	7.50	14	TJC12510-14ABX	22.45	18.00	16.25
8	TJC12510-8ABX	14.95	10.50	8.75	15	TJC12510-15ABX	23.70	19.25	17.50
9	TJC12510-9ABX	16.20	11.75	10.00					
材质 · 表面处理 Material and Finish									
LCP UL94V-0; 黄铜镀锡 Brass Tin · Plated									

阳连接器 (卧式, 表面装贴) Header (H, SMT)



TJC12510 型条形连接器

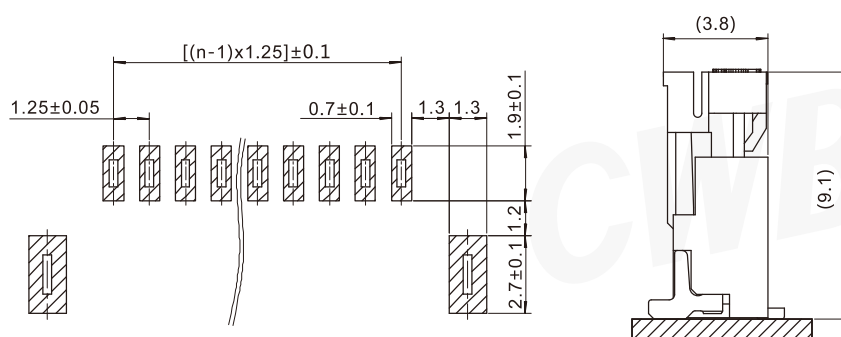
TJC12510 Bar Connector

间距 (space) : 1.25mm

线数 Poles	型号 Type	尺寸 Dimensions (mm)			线数 Poles	型号 Type	尺寸 Dimensions (mm)		
		A	B	C			A	B	C
2	TJC12510-2AWB	7.45	3.00	1.25	11	TJC12510-11AWB	18.70	14.25	12.50
3	TJC12510-3AWB	8.70	4.25	2.50	12	TJC12510-12AWB	19.95	15.50	13.75
4	TJC12510-4AWB	9.95	5.50	3.75	13	TJC12510-13AWB	21.20	16.75	15.00
5	TJC12510-5AWB	11.20	6.75	5.00	14	TJC12510-14AWB	22.45	18.00	16.25
6	TJC12510-6AWB	12.45	8.00	6.25	15	TJC12510-15AWB	23.70	19.25	17.50
7	TJC12510-7AWB	13.70	9.25	7.50	20	TJC12510-20AWB	29.95	25.50	23.75
8	TJC12510-8AWB	14.95	10.50	8.75	22	TJC12510-22AWB	32.45	28.00	26.25
9	TJC12510-9AWB	16.20	11.75	10.00	25	TJC12510-25AWB	36.20	31.75	30.00
10	TJC12510-10AWB	17.45	13.00	11.25	30	TJC12510-30AWB	42.45	38.00	36.25
材质 · 表面处理 Material and Finish									
LCP UL94V-0; 黄铜镀锡 Brass Tin · Plated									

安装尺寸 Mounting Measurement

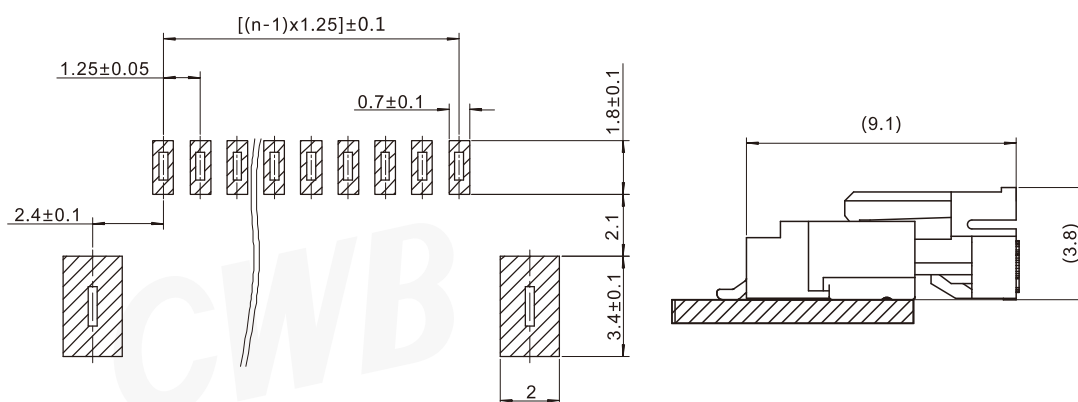
TJC12510-nABX



PCB Layout

Assembly View (DIM FYI)

TJC12510-nAWB



PCB Layout

Assembly View (DIM FYI)