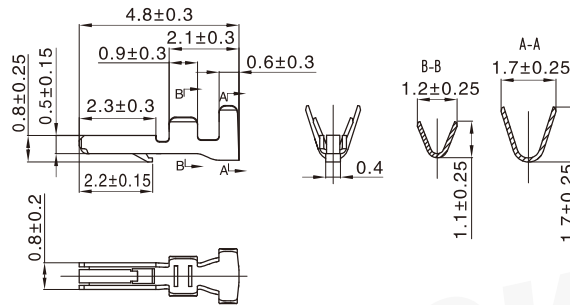


**技术参数 ( Specifications )**

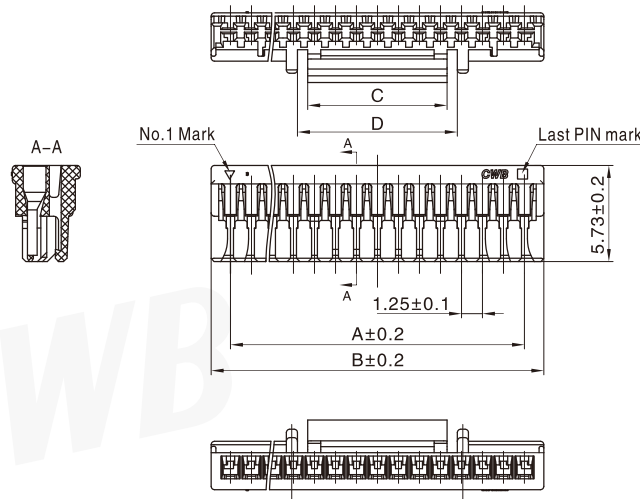
- 适用线规 ( Applicable wires ) : AWG#28~AWG#26
- 温度范围 ( Temperature range ) : -25℃~85℃
- 额定电压 ( Voltage rating ) : 50V AC/DC
- 额定电流 ( Current rating ) : 1A
- 接触电阻 ( Contact resistance ) :  $\leq 30m\Omega$
- 绝缘电阻 ( Insulation resistance ) :  $\geq 100M\Omega$
- 耐电压 ( Withstand voltage ) : 500V AC/minute

**插簧 Contact**



型号 Type	适用导线范围 Wire Range		导线外径 Wire ins.Dis
	mm <sup>2</sup>	AWG#	
CH-TJC12519	0.08 ~ 0.13	28 ~ 26	0.90 ~ 1.08
材质 · 表面处理 Material and Finish			
磷青铜 镀锡 Phos · bronze Tin · Plated			

**孔座 Housing**



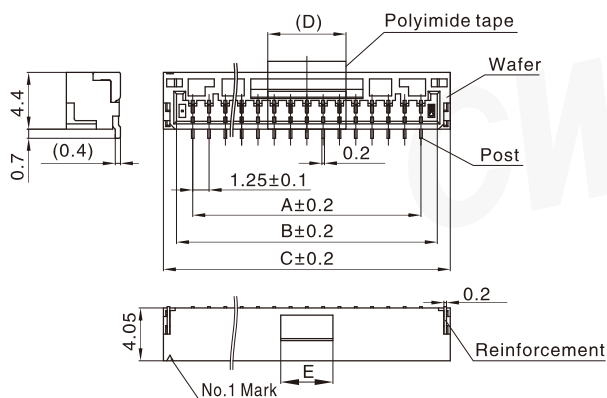
# TJC12519 型条形连接器

## TJC12519 Bar Connector

间距 ( space ) :1.25mm

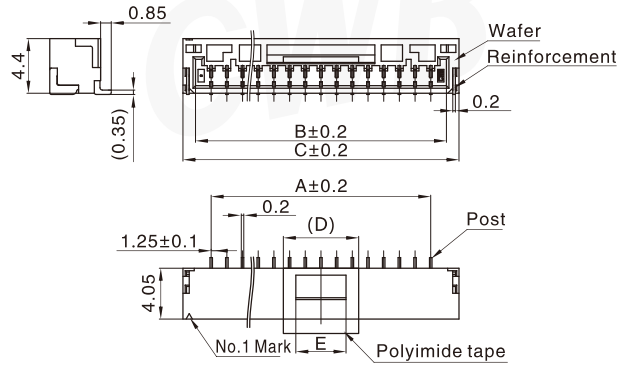
线数 Poles	型号 Type	尺寸 Dimensions (mm)			
		A	B	C	D
2	TJC12519-2Y	1.25	3.55	1.8	3
3	TJC12519-3Y	2.5	4.8	3.1	4.25
4	TJC12519-4Y	3.75	6.05	4.3	5.5
5	TJC12519-5Y	5	7.3	4.3	5.42
6	TJC12519-6Y	6.25	8.55	6.3	7.3
7	TJC12519-7Y	7.5	9.8	6.3	7.3
8	TJC12519-8Y	8.75	11.05	6.3	7.3
9	TJC12519-9Y	10	12.3	6.3	7.3
10	TJC12519-10Y	11.25	13.55	8.3	9.5
11	TJC12519-11Y	12.5	14.8	8.3	9.5
12	TJC12519-12Y	13.75	16.05	8.3	9.5
13	TJC12519-13Y	15	17.3	8.3	9.5
14	TJC12519-14Y	16.25	18.55	8.3	9.5
15	TJC12519-15Y	17.5	19.8	8.3	9.5
材质 Material					
PA66 UL94 V-0					

### 阳连接器 (立式, 表面装贴) Header (V,SMT)



线数 Poles	型号 Type	尺寸 Dimensions (mm)				
		A	B	C	D	E
2	TJC12519-2AB	1.25	3.75	5.75	5	2
3	TJC12519-3AB	2.5	5	7	6	3.25
4	TJC12519-4AB	3.75	6.25	8.25	6	4
5	TJC12519-5AB	5	7.5	9.5	6	4
6	TJC12519-6AB	6.25	8.75	10.75	6	4
7	TJC12519-7AB	7.5	10	12	6	4
8	TJC12519-8AB	8.75	11.25	13.25	6	4
9	TJC12519-9AB	10	12.5	14.5	6	4
10	TJC12519-10AB	11.25	13.75	15.75	6	4
11	TJC12519-11AB	12.5	15	17	6	4
12	TJC12519-12AB	13.75	16.25	18.25	6	4
13	TJC12519-13AB	15	17.5	19.5	6	4
14	TJC12519-14AB	16.25	18.75	20.75	6	4
15	TJC12519-15AB	17.5	20	22	6	4
材质 · 表面处理 Material and Finish						
PA UL94 V-0; 磷青铜镀锡 Phos · bronze Tin · Plated						

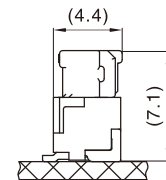
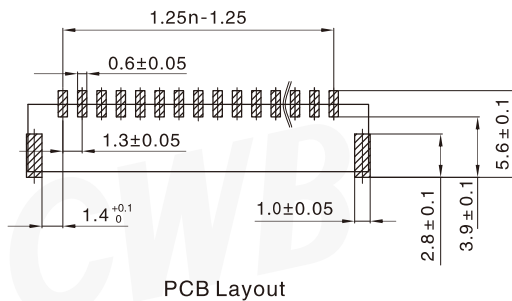
阳连接器 (卧式, 表面装贴) Header (H,SMT)



线数 Poles	型号 Type	尺寸 Dimensions (mm)				
		A	B	C	D	E
2	TJC12519-2AWB	1.25	3.75	5.75	5	2
3	TJC12519-3AWB	2.5	5	7	6	3.25
4	TJC12519-4AWB	3.75	6.25	8.25	6	4
5	TJC12519-5AWB	5	7.5	9.5	6	4
6	TJC12519-6AWB	6.25	8.75	10.75	6	4
7	TJC12519-7AWB	7.5	10	12	6	4
8	TJC12519-8AWB	8.75	11.25	13.25	6	4
9	TJC12519-9AWB	10	12.5	14.5	6	4
10	TJC12519-10AWB	11.25	13.75	15.75	6	4
11	TJC12519-11AWB	12.5	15	17	6	4
12	TJC12519-12AWB	13.75	16.25	18.25	6	4
13	TJC12519-13AWB	15	17.5	19.5	6	4
14	TJC12519-14AWB	16.25	18.75	20.75	6	4
15	TJC12519-15AWB	17.5	20	22	6	4
材质 · 表面处理 Material and Finish						
PA UL94 V-0; 磷青铜镀锡 Phos · bronze Tin · Plated						

安装尺寸 Mounting Measurement

TJC12519-nAB

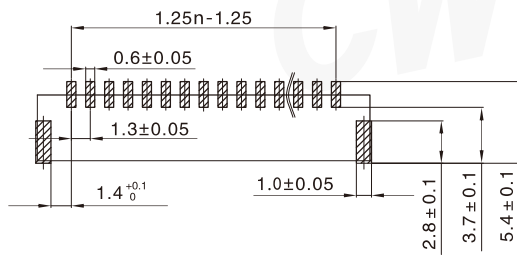


Assembly view (FYI)

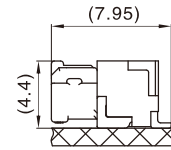
TJC12519 型条形连接器  
TJC12519 Bar Connector

间距 ( space ) :1.25mm

TJC12519-nAWB



PCB Layout



Assembly view  
(FYI)

CWB

CWB