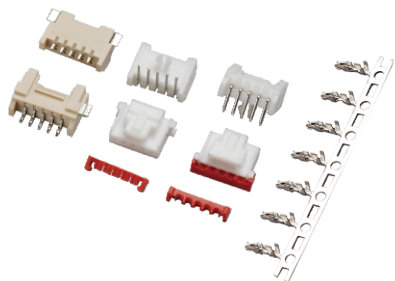



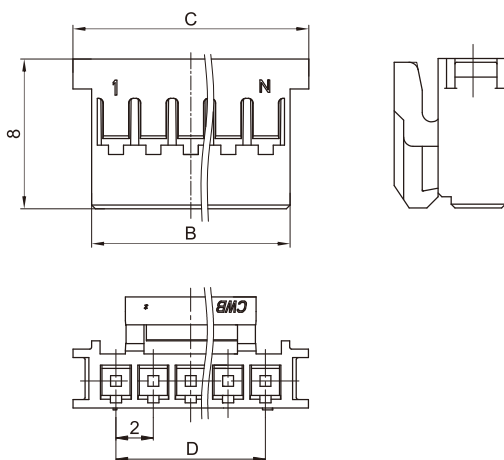
技术参数 (Specifications)



适用线规 (Applicable wires) : AWG#28~AWG#22 (UL1007)
 温度范围 (Temperature range) : -25°C~85°C
 额定电流 (Current rating) : 3A
 接触电阻 (Contact resistance) : ≤10mΩ
 绝缘电阻 (Insulation resistance) : ≥1000MΩ
 额定电压 (Voltage rating) : 250V AC/DC
 耐压 (Withstand voltage) : 800V AC/minute
 对配插簧 (Matched Contact) : TJC20085 terminal

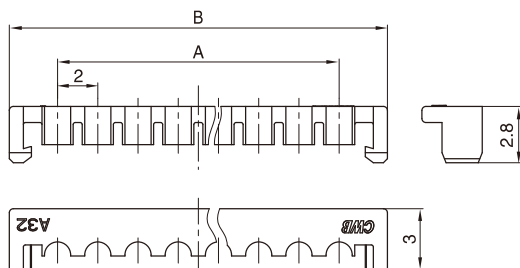
认证 (Standards) :  E200881

孔座 (含锁紧片保持结构) Housing (W/Retainer)



线数 Poles	型号 Type	尺寸 Dimensions (mm)			
		A	B	C	D
5	TJC20046-5Y	12.6	10.6	11.3	8
7	TJC20046-7Y	16.6	14.6	15.3	12
材质 Material		PA66 UL94V-0			

锁紧片 Retainer



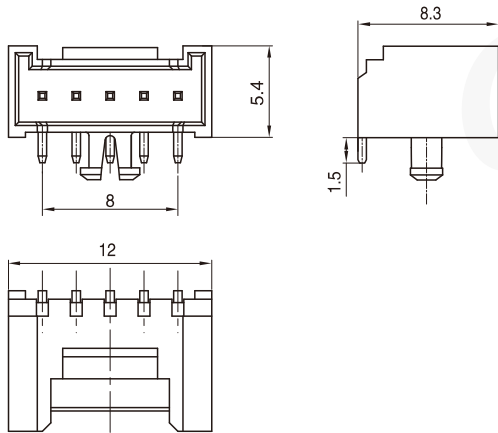
线数 Poles	型号 Type	尺寸 Dimensions (mm)	
		A	B
2	TJC20046-2YS	2	6.8
3	TJC20046-3YS	4	8.8
4	TJC20046-4YS	6	10.8
8	TJC20046-8YS	14	18.8
材质 Material		PA66 UL94V-0	

TJC20046 型条形连接器

TJC20046 Bar Connector

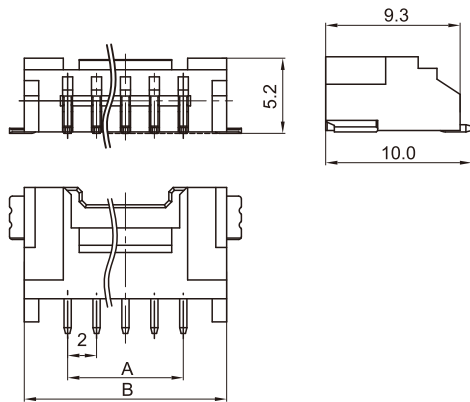
间距 (space) :2.0mm

阳连接器 (卧式, 直插, 含定位柱) Header (H, DIP, W/Boss)



型号Type	材质·表面处理 Material and Finish
TJC20046-5AWD	PA66 UL94V-0; 黄铜 镀锡 Brass Tin · Plated

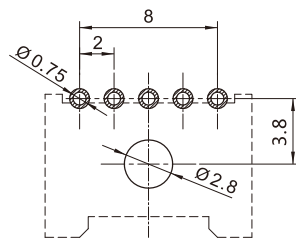
阳连接器 (卧式, 表面装贴, 带挡板) Header (H, SMT, W/PCB stabilizer)



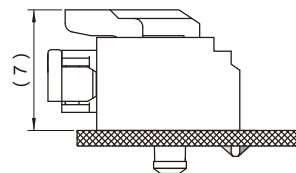
线数 Poles	型号 Type	尺寸 Dimensions (mm)	
		A	B
5	TJC20046-5AWBJ	8	14
7	TJC20046-7AWBJ	12	18
材质·表面处理 Material and Finish			
PA UL94V-0; 黄铜 镀锡 Brass Tin · Plated			

安装尺寸 Mounting Measurement

TJC20046-5AWD

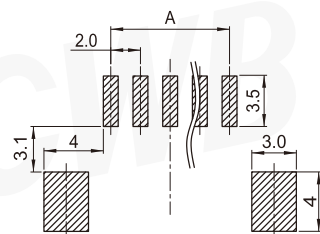


PCB Layout

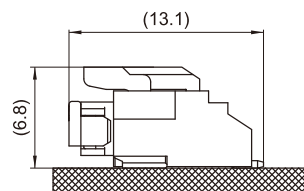


Assembly View (DIM FYI)

TJC20046-nAWBJ



PCB Layout



Assembly View (DIM FYI)