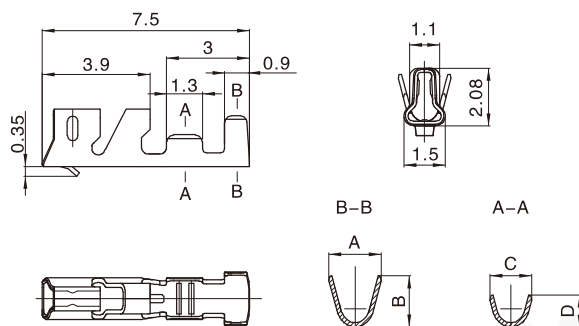


技术参数 (Specifications)

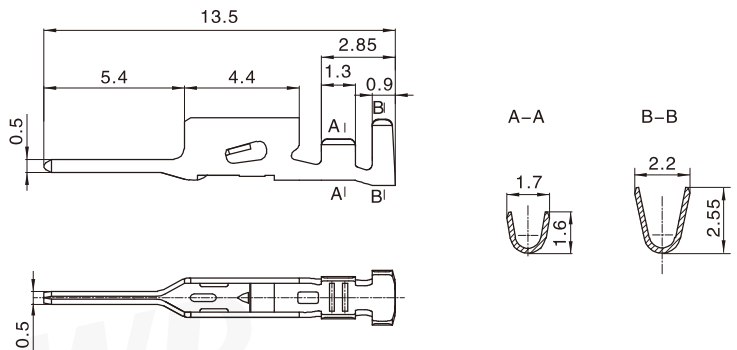
- 适用线规 (Applicable wires) : AWG#28~AWG#22
- 适应基板厚度 (Applicable PC board thickness) : 1.6 mm
- 温度范围 (Temperature range) : -25°C~85°C
- 额定电压 (Voltage rating) : 100V AC/DC
- 额定电流 (Current rating) : 3A
- 接触电阻 (Contact resistance) : $\leq 15m\Omega$
- 绝缘电阻 (Insulation resistance) : $\geq 1000M\Omega$
- 耐电压 (Withstand voltage) : 800V AC/minute

插簧 Socket contact



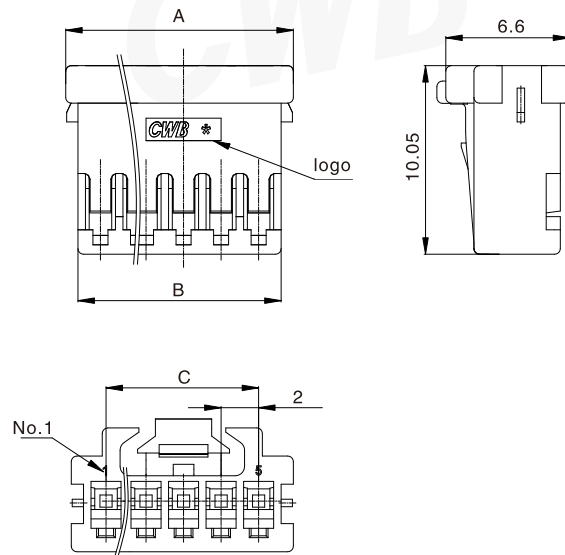
型号 Type	适用导线范围 Wire Range		导线外径 Wire ins.Dis	尺寸 Dimensions (mm)			
	mm ²	AWG#		A	B	C	D
CH-TJC20081-1	0.22 ~ 0.33	24 ~ 22	1.4 ~ 1.5	2.2	2.45	1.7	1.55
CH-TJC20081	0.08 ~ 0.13	28 ~ 26	0.76 ~ 1.3	1.9	1.85	1.5	1.15
材质 · 表面处理 Material and Finish							
磷青铜 镀锡 Phos · bronze Tin · Plated							

插针 Pin contact



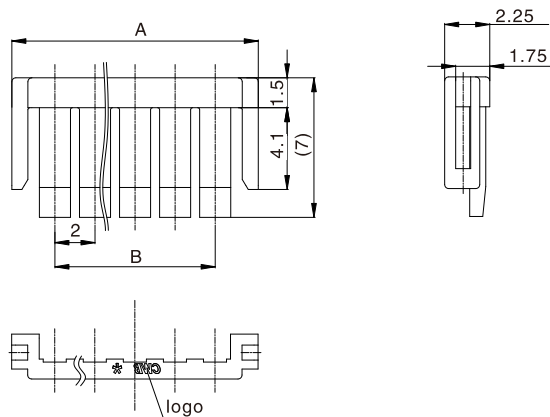
型号 Type	适用导线范围 Wire Range		导线外径 Wire ins.Dis
	mm ²	AWG#	
CZ-TJC20081	0.22 ~ 0.33	24 ~ 22	1.4 ~ 1.5
材质 · 表面处理 Material and Finish			
磷青铜 镀锡 Phos · bronze Tin · Plated			

孔座(含锁紧片保持结构) Plug housing (W/Retainer)



线数 Poles	型号 Type	尺寸Dimensions (mm)		
		A	B	C
5	TJC20081-5Y	11.7	10.4	8
10	TJC20081-10Y	21.7	20.4	18
材质·表面处理 Material and Finish				
PA66+GF UL94V-0 / PBT UL94V-0				

锁紧片 Retainer

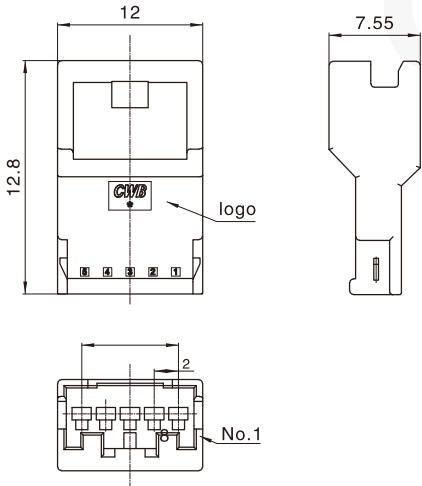


线数 Poles	型号 Type	尺寸Dimensions (mm)	
		A	B
5	TJC20081-5S	12.3	8
10	TJC20081-10S	22.3	18
材质·表面处理 Material and Finish			
PA66+GF UL94V-0			

TJC20081 型条形连接器
TJC20081 Bar Connector

间距 (space) :2.0mm

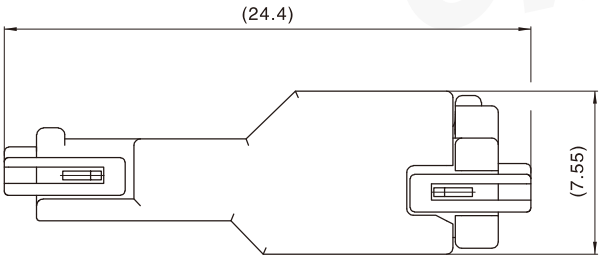
针座 Receptacle housing



线数 Poles	型号 Type
5	TJC20081-5AR
材质 Material	
PA66 UL94V-0	

安装尺寸 Mounting Measurement

TJC20081-nAR



Assembly View
 (DIM FYI)