
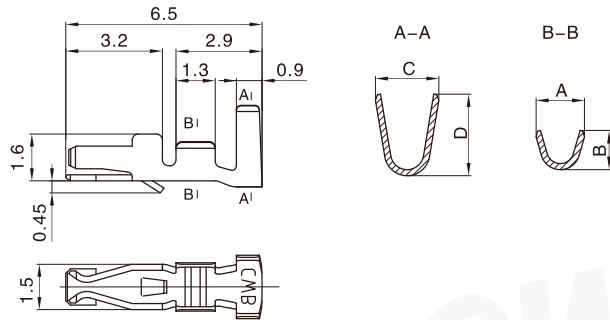


技术参数 (Specifications)

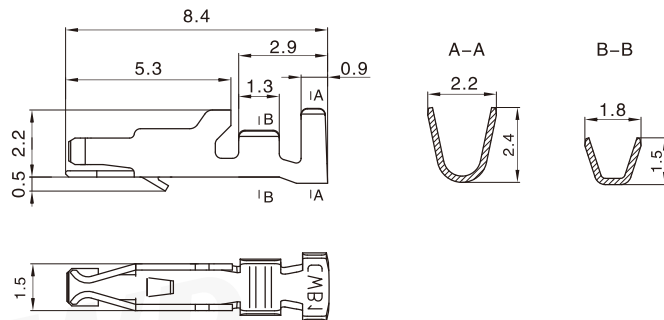
适用线规 (Applicable wires) : AWG#28~ AWG#22
 温度范围 (Temperature range) : -40℃~100℃
 额定电压 (Voltage rating) : 250V AC/DC
 额定电流 (Current rating) : 3A Max. (AWG#22)
 接触电阻 (Contact resistance) : ≤10mΩ
 绝缘电阻 (Insulation resistance) : ≥1000MΩ
 耐电压 (Withstand voltage) : 1000V AC/minute
 认证 (Standards) :  E200881

插簧 (A型) Contact (Type A)



型号 Type	适用导线范围 Wire Range		导线外径 Wire ins.Dis	尺寸 Dimensions (mm)			
	mm ²	AWG#		A	B	C	D
CH-TJC20085	0.08~0.2	28~24	1.2~1.4	1.6	1.3	2.1	2.7
CH-TJC20085-1	0.32	22	1.6	2.1	1.7	2.1	2.6
材质·表面处理 Material and Finish							
磷青铜 镀锡 Phos·bronze Tin·Plated							

插簧 (B型) Contact (Type B)



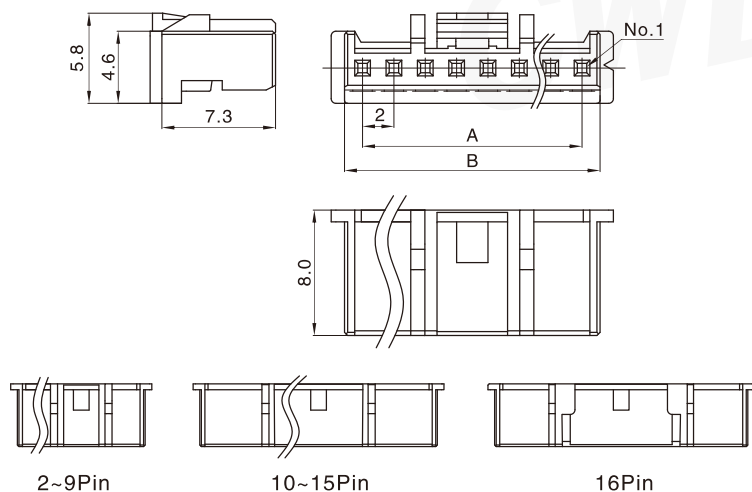
型号 Type	适用导线范围 Wire Range		导线外径 Wire ins.Dis
	mm ²	AWG#	
CH-TJC20082-1	0.2~0.32	24~22	1.4~1.6
材质·表面处理 Material and Finish			
磷青铜 镀锡 Phos·bronze Tin·Plated			

TJC20082 型条形连接器

TJC20082 Bar Connector

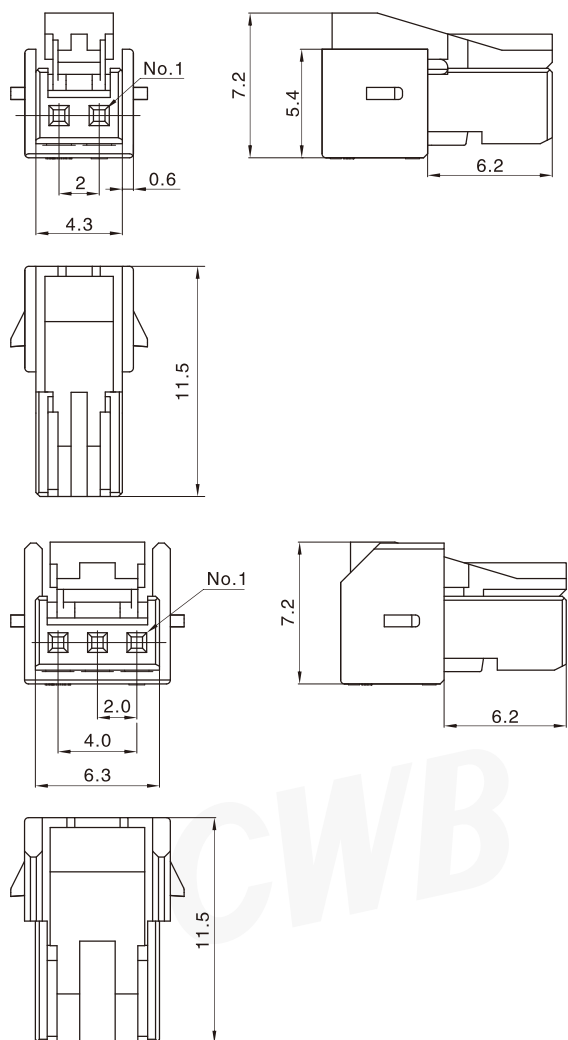
间距 (space) :2.0mm

孔座 (A型) Housing (Type A)



线数 Poles	型号 Type	尺寸 Dimensions (mm)	
		A	B
2	TJC20082-2Y	2	4.3
3	TJC20082-3Y	4	6.3
4	TJC20082-4Y	6	8.3
5	TJC20082-5Y	8	10.3
6	TJC20082-6Y	10	12.3
7	TJC20082-7Y	12	14.3
8	TJC20082-8Y	14	16.3
9	TJC20082-9Y	16	18.3
10	TJC20082-10Y	18	20.3
11	TJC20082-11Y	20	22.3
12	TJC20082-12Y	22	24.3
13	TJC20082-13Y	24	26.3
14	TJC20082-14Y	26	28.3
15	TJC20082-15Y	28	30.3
16	TJC20082-16Y	30	32.3
材质 Material			
PA66 UL94V-0			

孔座 (B型, 含锁紧片保持结构) Housing (Type B, W/Retainer)



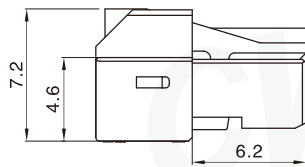
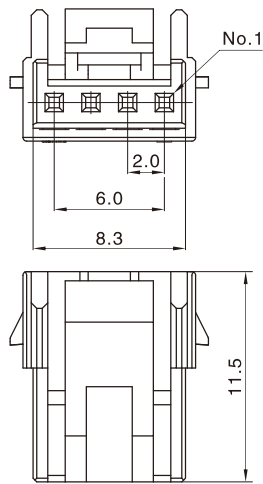
线数 Poles	型号 Type
2	TJC20082-2Y-1
材质 Material	
PA66 UL94V-0	

线数 Poles	型号 Type
3	TJC20082-3Y-1
材质 Material	
PA66 UL94V-0	

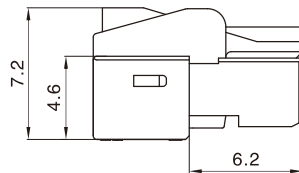
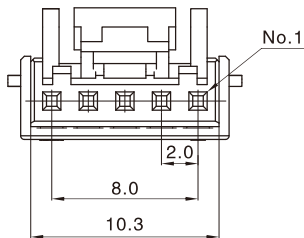
TJC20082 型条形连接器

TJC20082 Bar Connector

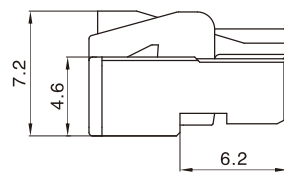
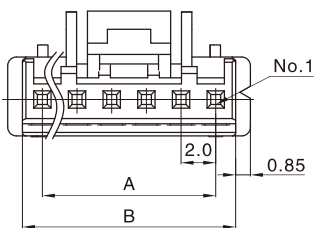
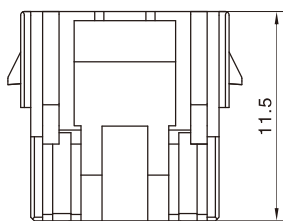
间距 (space) :2.0mm



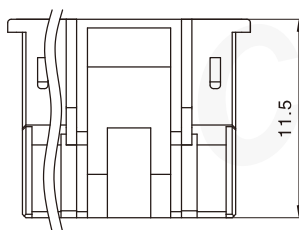
线数 Poles	型号 Type
4	TJC20082-4Y-1
材质 Material	
PA66 UL94V-0	



线数 Poles	型号 Type
5	TJC20082-5Y-1
材质 Material	
PA66 UL94V-0	



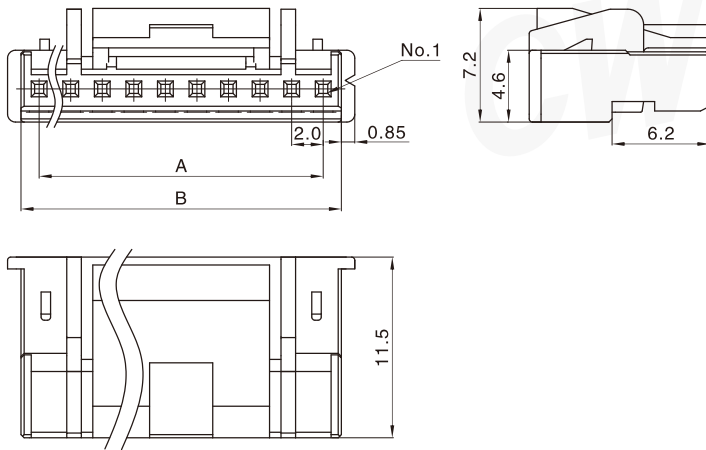
线数 Poles	型号 Type	尺寸 Dimensions (mm)	
		A	B
6	TJC20082-6Y-1	10	12.3
7	TJC20082-7Y-1	12	14.3
8	TJC20082-8Y-1	14	16.3
9	TJC20082-9Y-1	16	18.3
材质 Material			
PA66 UL94V-0			



TJC20082 型条形连接器

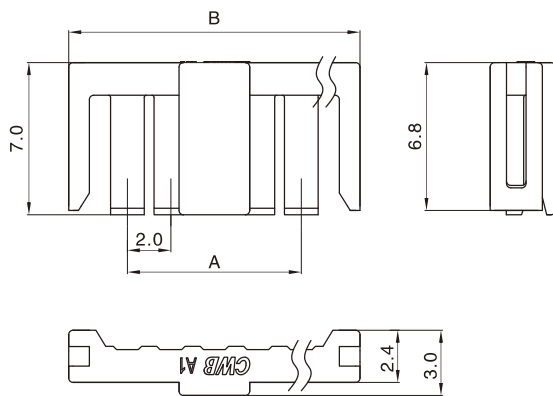
TJC20082 Bar Connector

间距 (space) :2.0mm

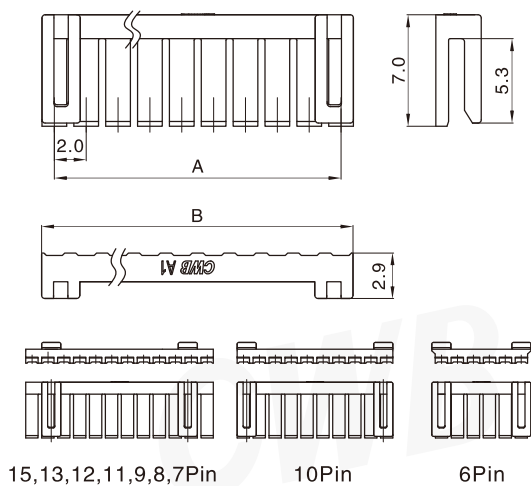


线数 Poles	型号 Type	尺寸 Dimensions (mm)	
		A	B
10	TJC20082-10Y-1	18	20.3
11	TJC20082-11Y-1	20	22.3
12	TJC20082-12Y-1	22	24.3
13	TJC20082-13Y-1	24	26.3
15	TJC20082-15Y-1	28	30.3
材质 Material			
PA66 UL94V-0			

锁紧片 Retainer



线数 Poles	型号 Type	尺寸 Dimensions (mm)	
		A	B
2	TJC20082-2S	2	7.4
3	TJC20082-3S	4	9.4
4	TJC20082-4S	6	11.4
5	TJC20082-5S	8	13.4
材质 Material			
PA66+GF UL94V-0			



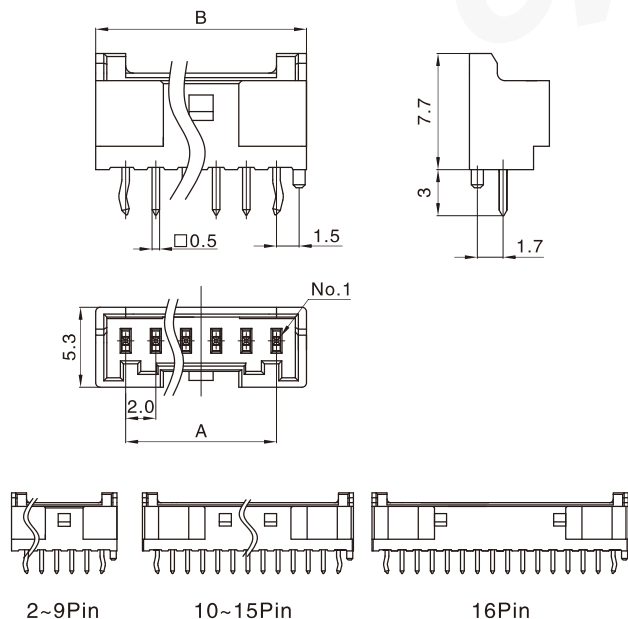
线数 Poles	型号 Type	尺寸 Dimensions (mm)	
		A	B
6	TJC20082-6S	10	11.55
7	TJC20082-7S	12	13.55
8	TJC20082-8S	14	15.55
9	TJC20082-9S	16	17.55
10	TJC20082-10S	18	19.55
11	TJC20082-11S	20	21.55
12	TJC20082-12S	22	23.55
13	TJC20082-13S	24	25.55
15	TJC20082-15S	28	29.55
材质 Material			
PA66+GF UL94V-0			

TJC20082 型条形连接器

TJC20082 Bar Connector

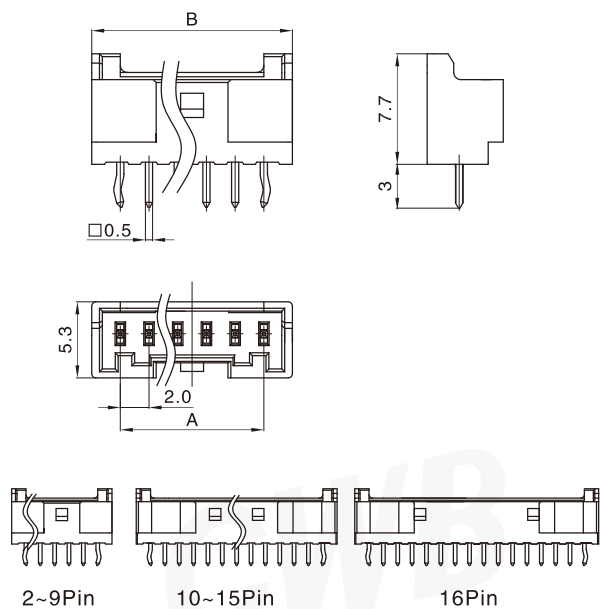
间距 (space) :2.0mm

阳连接器 (立式, 直插, 含定位柱, 含小弯) Header (V, DIP, W/Boss,W/Kink)



线数 Poles	型号 Type	尺寸 Dimensions (mm)	
		A	B
2	TJC20082-2ADK	2	6
3	TJC20082-3ADK	4	8
4	TJC20082-4ADK	6	10
5	TJC20082-5ADK	8	12
6	TJC20082-6ADK	10	14
7	TJC20082-7ADK	12	16
8	TJC20082-8ADK	14	18
9	TJC20082-9ADK	16	20
10	TJC20082-10ADK	18	22
11	TJC20082-11ADK	20	24
12	TJC20082-12ADK	22	26
13	TJC20082-13ADK	24	28
14	TJC20082-14ADK	26	30
15	TJC20082-15ADK	28	32
16	TJC20082-16ADK	30	34
材质 · 表面处理 Material and Finish			
PA66+GF UL94V-0; 黄铜 镀锡 Brass Tin · Plated			

阳连接器 (立式, 直插, 含小弯) Header (V, DIP, W/Kink)



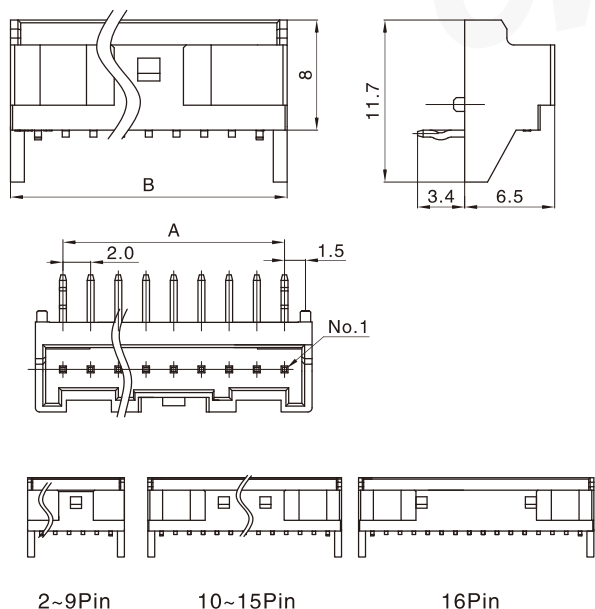
线数 Poles	型号 Type	尺寸 Dimensions (mm)	
		A	B
2	TJC20082-2AK	2	6
3	TJC20082-3AK	4	8
4	TJC20082-4AK	6	10
5	TJC20082-5AK	8	12
6	TJC20082-6AK	10	14
7	TJC20082-7AK	12	16
8	TJC20082-8AK	14	18
9	TJC20082-9AK	16	20
10	TJC20082-10AK	18	22
11	TJC20082-11AK	20	24
12	TJC20082-12AK	22	26
13	TJC20082-13AK	24	28
14	TJC20082-14AK	26	30
15	TJC20082-15AK	28	32
16	TJC20082-16AK	30	34
材质 · 表面处理 Material and Finish			
PA66+GF UL94V-0; 黄铜 镀锡 Brass Tin · Plated			

TJC20082 型条形连接器

TJC20082 Bar Connector

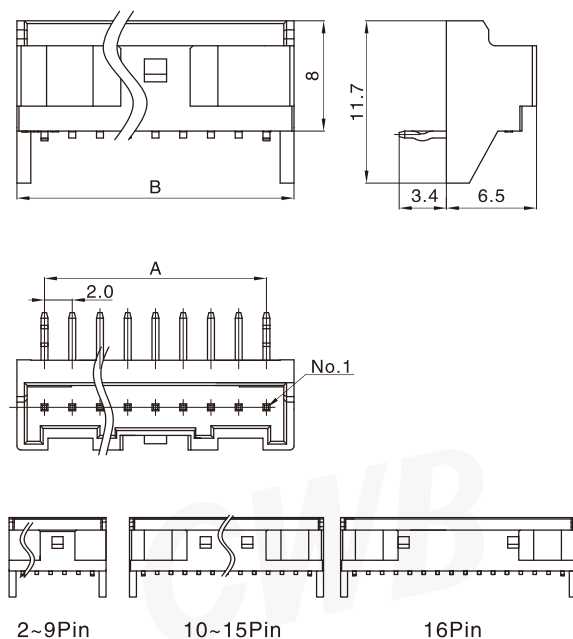
间距 (space) :2.0mm

阳连接器 (卧式, 直插, 带挡板, 含定位柱, 含小弯) Header (H, DIP, W/PCB stabilizer, W/Boss, W/Kink)



线数 Poles	型号 Type	尺寸 Dimensions (mm)	
		A	B
2	TJC20082-2AWJDK	2	6
3	TJC20082-3AWJDK	4	8
4	TJC20082-4AWJDK	6	10
5	TJC20082-5AWJDK	8	12
6	TJC20082-6AWJDK	10	14
7	TJC20082-7AWJDK	12	16
8	TJC20082-8AWJDK	14	18
9	TJC20082-9AWJDK	16	20
10	TJC20082-10AWJDK	18	22
11	TJC20082-11AWJDK	20	24
12	TJC20082-12AWJDK	22	26
13	TJC20082-13AWJDK	24	28
14	TJC20082-14AWJDK	26	30
15	TJC20082-15AWJDK	28	32
16	TJC20082-16AWJDK	30	34
材质 · 表面处理 Material and Finish			
PA66+GF UL94V-0; 黄铜 镀锡 Brass Tin · Plated			

阳连接器 (卧式, 直插, 带挡板, 含小弯) Header (H, DIP, W/PCB stabilizer, W/Kink)



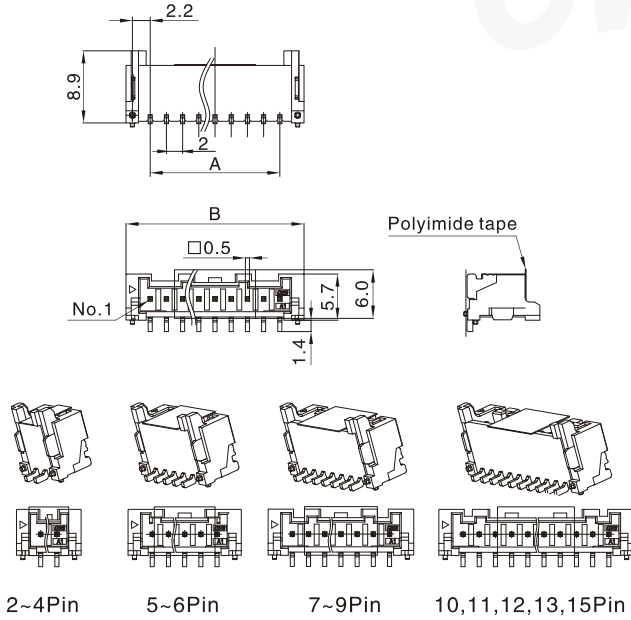
线数 Poles	型号 Type	尺寸 Dimensions (mm)	
		A	B
2	TJC20082-2AWJK	2	6
3	TJC20082-3AWJK	4	8
4	TJC20082-4AWJK	6	10
5	TJC20082-5AWJK	8	12
6	TJC20082-6AWJK	10	14
7	TJC20082-7AWJK	12	16
8	TJC20082-8AWJK	14	18
9	TJC20082-9AWJK	16	20
10	TJC20082-10AWJK	18	22
11	TJC20082-11AWJK	20	24
12	TJC20082-12AWJK	22	26
13	TJC20082-13AWJK	24	28
14	TJC20082-14AWJK	26	30
15	TJC20082-15AWJK	28	32
16	TJC20082-16AWJK	30	34
材质 · 表面处理 Material and Finish			
PA66+GF UL94V-0; 黄铜 镀锡 Brass Tin · Plated			

TJC20082 型条形连接器

TJC20082 Bar Connector

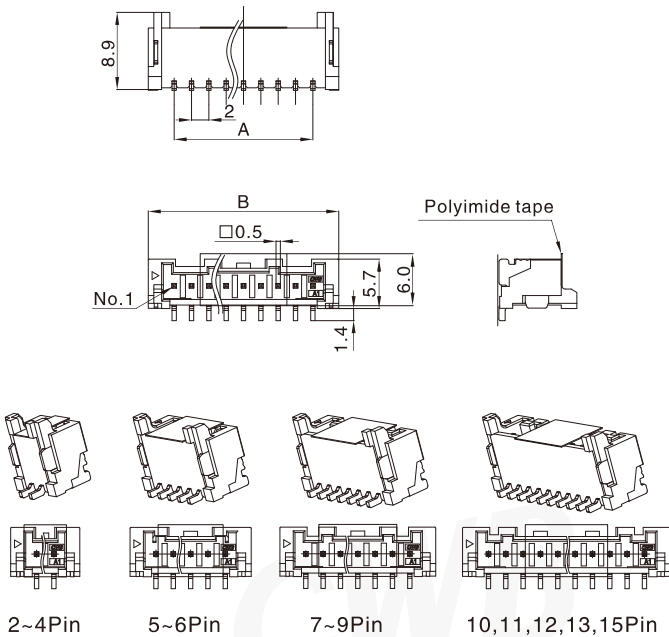
间距 (space) :2.0mm

阳连接器 (立式, 表面装贴, 含定位柱) Header (V,SMT,W/Boss)



线数 Poles	型号 Type	尺寸 Dimensions (mm)	
		A	B
2	TJC20082-2ABD	2	8
3	TJC20082-3ABD	4	10
4	TJC20082-4ABD	6	12
5	TJC20082-5ABD	8	14
6	TJC20082-6ABD	10	16
7	TJC20082-7ABD	12	18
8	TJC20082-8ABD	14	20
9	TJC20082-9ABD	16	22
10	TJC20082-10ABD	18	24
11	TJC20082-11ABD	20	26
12	TJC20082-12ABD	22	28
13	TJC20082-13ABD	24	30
14	TJC20082-14ABD	26	32
15	TJC20082-15ABD	28	34
材质 · 表面处理 Material and Finish			
PA UL94V-0; 黄铜 镀锡 Brass Tin · Plated			

阳连接器 (立式, 表面装贴) Header (V,SMT)



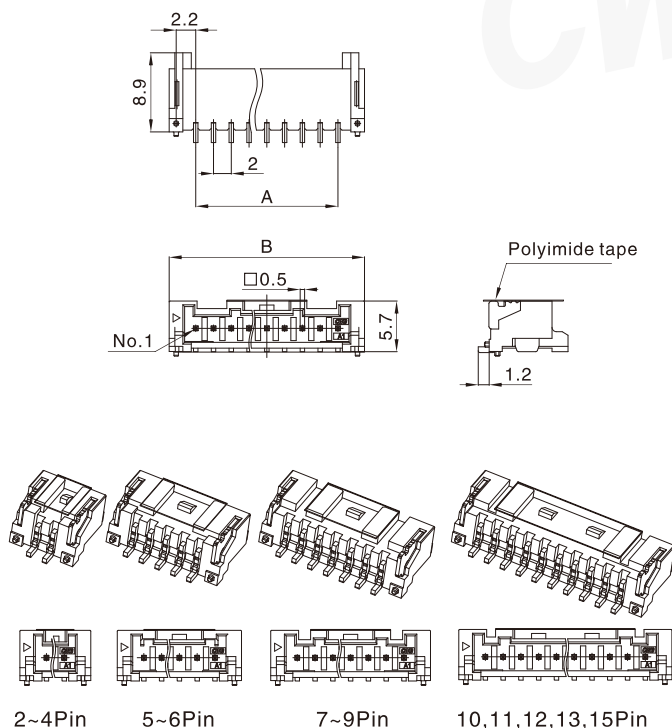
线数 Poles	型号 Type	尺寸 Dimensions (mm)	
		A	B
2	TJC20082-2AB	2	8
3	TJC20082-3AB	4	10
4	TJC20082-4AB	6	12
5	TJC20082-5AB	8	14
6	TJC20082-6AB	10	16
7	TJC20082-7AB	12	18
8	TJC20082-8AB	14	20
9	TJC20082-9AB	16	22
10	TJC20082-10AB	18	24
11	TJC20082-11AB	20	26
12	TJC20082-12AB	22	28
13	TJC20082-13AB	24	30
14	TJC20082-14AB	26	32
15	TJC20082-15AB	28	34
材质 · 表面处理 Material and Finish			
PA UL94V-0; 黄铜 镀锡 Brass Tin · Plated			

TJC20082 型条形连接器

TJC20082 Bar Connector

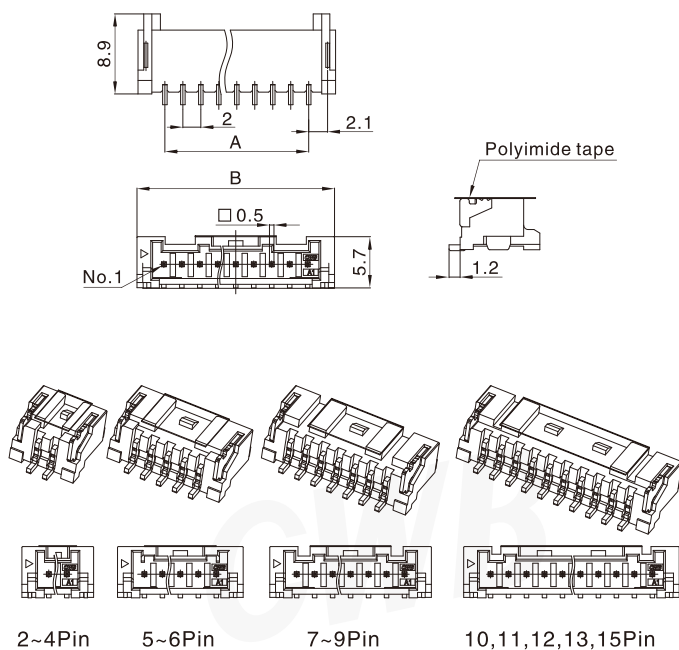
间距 (space) :2.0mm

阳连接器 (卧式, 表面装贴, 含定位柱) Header (H,SMT,W/Boss)



线数 Poles	型号 Type	尺寸 Dimensions (mm)	
		A	B
2	TJC20082-2AWBD	2	8
3	TJC20082-3AWBD	4	10
4	TJC20082-4AWBD	6	12
5	TJC20082-5AWBD	8	14
6	TJC20082-6AWBD	10	16
7	TJC20082-7AWBD	12	18
8	TJC20082-8AWBD	14	20
9	TJC20082-9AWBD	16	22
10	TJC20082-10AWBD	18	24
11	TJC20082-11AWBD	20	26
12	TJC20082-12AWBD	22	28
13	TJC20082-13AWBD	24	30
14	TJC20082-14AWBD	26	32
15	TJC20082-15AWBD	28	34
材质 · 表面处理 Material and Finish			
PA UL94V-0; 黄铜 镀锡 Brass Tin · Plated			

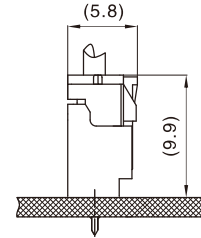
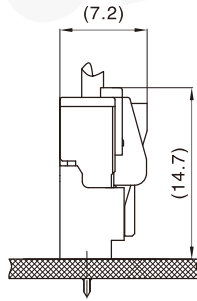
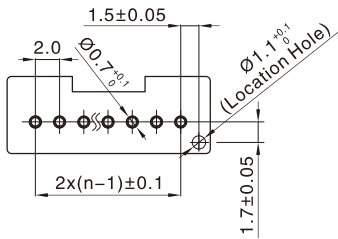
阳连接器 (卧式, 表面装贴) Header (H,SMT)



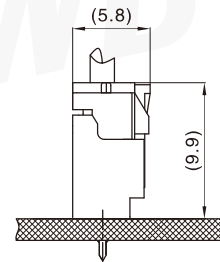
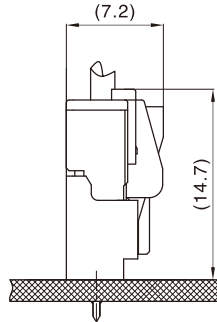
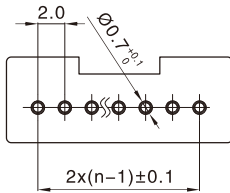
线数 Poles	型号 Type	尺寸 Dimensions (mm)	
		A	B
2	TJC20082-2AWB	2	8
3	TJC20082-3AWB	4	10
4	TJC20082-4AWB	6	12
5	TJC20082-5AWB	8	14
6	TJC20082-6AWB	10	16
7	TJC20082-7AWB	12	18
8	TJC20082-8AWB	14	20
9	TJC20082-9AWB	16	22
10	TJC20082-10AWB	18	24
11	TJC20082-11AWB	20	26
12	TJC20082-12AWB	22	28
13	TJC20082-13AWB	24	30
14	TJC20082-14AWB	26	32
15	TJC20082-15AWB	28	34
材质 · 表面处理 Material and Finish			
PA UL94V-0; 黄铜 镀锡 Brass Tin · Plated			

安装尺寸 Mounting Measurement

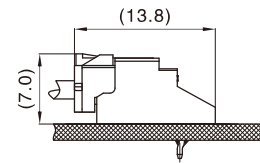
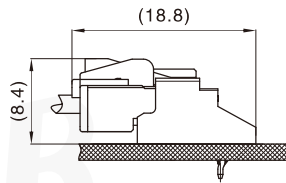
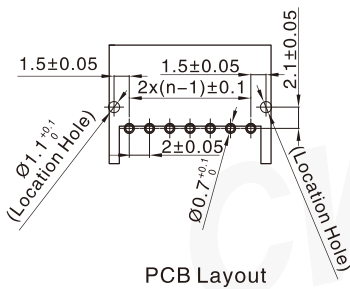
TJC20082-nADK



TJC20082-nAK



TJC20082-nAWJDK

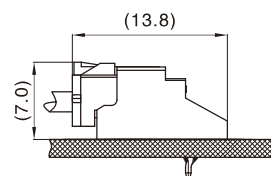
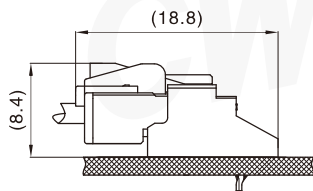
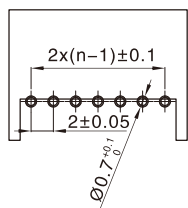


TJC20082 型条形连接器

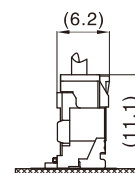
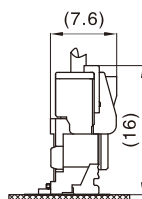
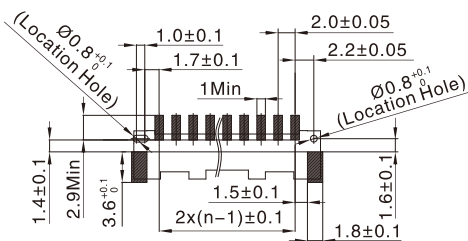
TJC20082 Bar Connector

间距 (space) :2.0mm

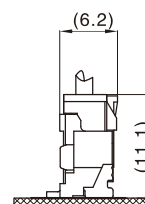
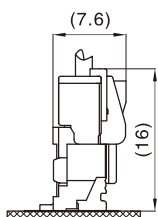
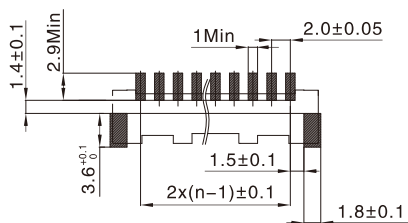
TJC20082-nAWJK



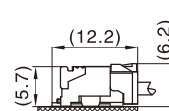
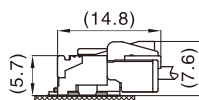
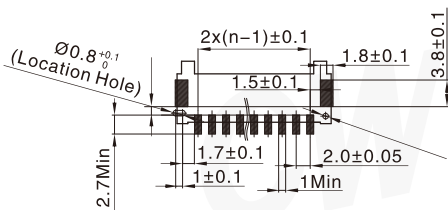
TJC20082-nABD



TJC20082-nAB

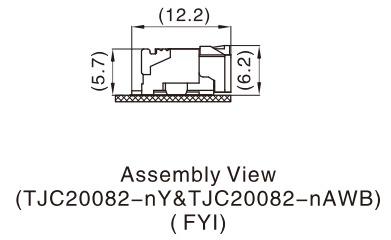
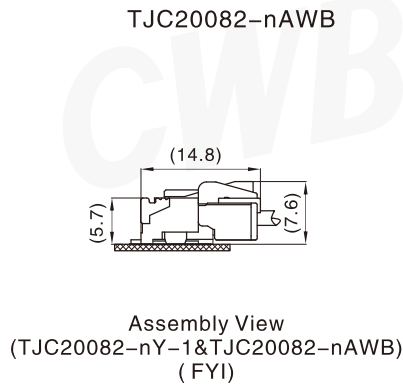
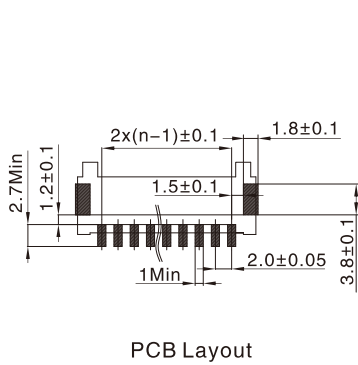


TJC20082-nAWBD



TJC20082 型条形连接器
TJC20082 Bar Connector

间距 (space) :2.0mm



CWB

CWB