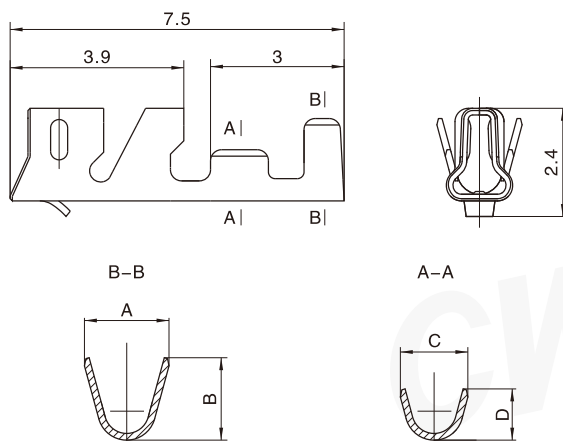


技术参数 (Specifications)

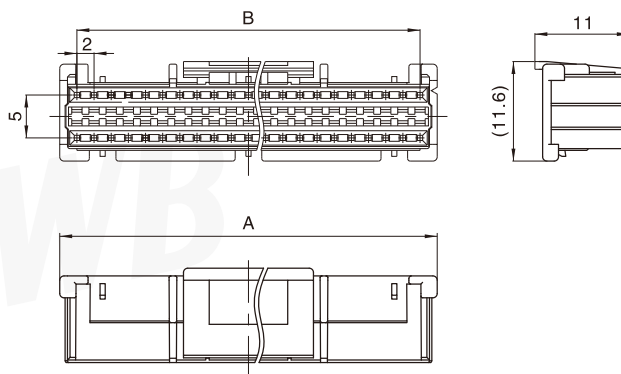
- 适用线规 (Applicable wires) : AWG#22~AWG#28
- 适应基板厚度 (Applicable PC board thickness) : 0.8~1.6 mm
- 温度范围 (Temperature range) : -25°C~85°C
- 额定电压 (Voltage rating) : 250V AC/DC
- 额定电流 (Current rating) : 3A Max.
- 接触电阻 (Contact resistance) : $\leq 10m\Omega$
- 绝缘电阻 (Insulation resistance) : $\geq 1000M\Omega$
- 耐电压 (Withstand voltage) : 800V AC/minute

插簧 Contact



型号 Type	适用导线范围 Wire Range		导线外径 Wire ins.Dis	尺寸 Dimensions (mm)			
	mm ²	AWG#		A	B	C	D
CH-TJC20081	0.09 ~ 0.14	28 ~ 26	1.2 ~ 1.3	1.9	1.85	1.5	1.15
CH-TJC20081-1	0.22 ~ 0.34	24 ~ 22	1.4 ~ 1.6	2.2	2.45	1.7	1.55
材质 · 表面处理 Material and Finish							
磷青铜 镀锡 Phos · bronze Tin · Plated							

孔座 Housing



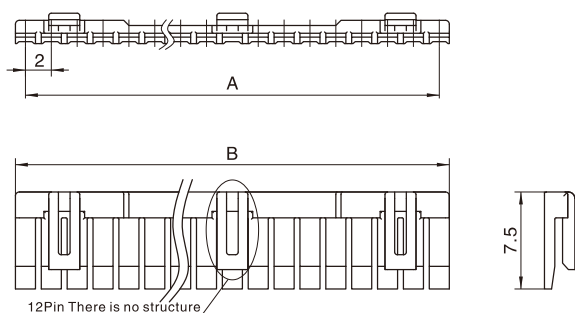
TJC20083 型条形连接器

TJC20083 Bar Connector

间距 (space) :2.0mm

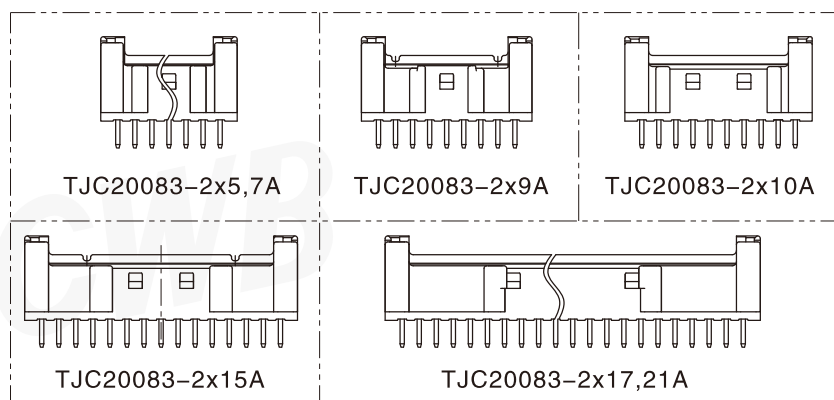
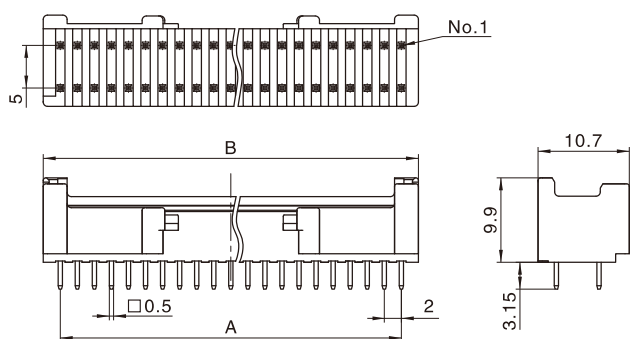
线数 Poles	型号 Type	尺寸 Dimensions (mm)	
		A	B
10	TJC20083-2x5Y	12	8
14	TJC20083-2x7Y	16	12
18	TJC20083-2x9Y	20	16
20	TJC20083-2x10Y	22	18
30	TJC20083-2x15Y	32	28
34	TJC20083-2x17Y	36	32
42	TJC20083-2x21Y	44	40
材质 Material			
PA66 UL94 V-0			

锁紧片 Retainer



线数 Poles	型号 Type	尺寸 Dimensions (mm)	
		A	B
12	TJC20083-12YS	22	23.55
17	TJC20083-17YS	32	33.55
材质 Material			
PA66+GF UL94V-0			

阳连接器 (立式, 直插, 双排) Header (V,DIP, Double rows)



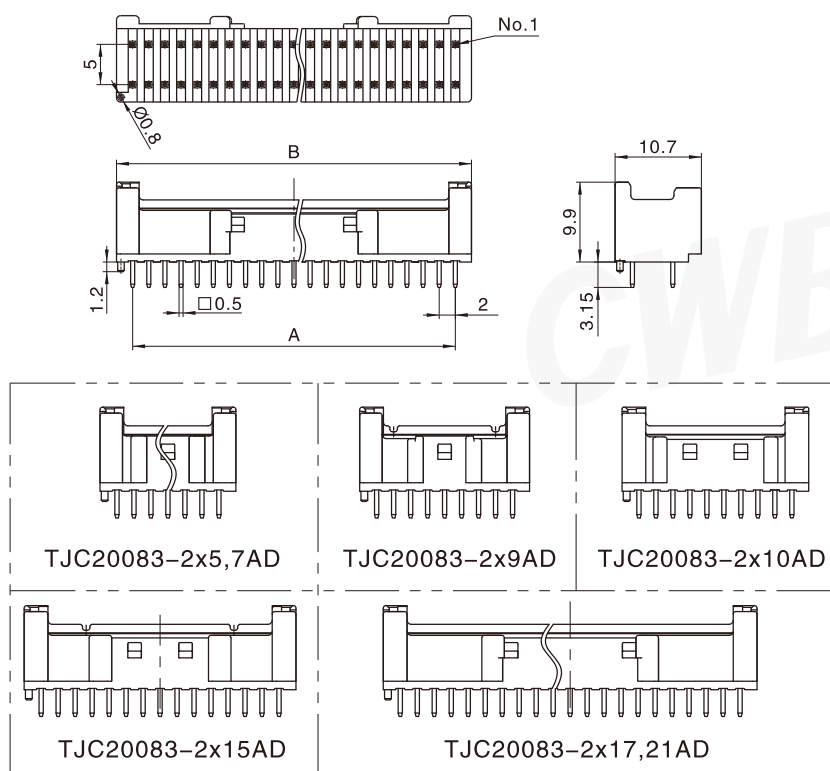
TJC20083 型条形连接器

TJC20083 Bar Connector

间距 (space) :2.0mm

线数 Poles	型号 Type	尺寸 Dimensions (mm)	
		A	B
10	TJC20083-2x5A	8	12
14	TJC20083-2x7A	12	16
18	TJC20083-2x9A	16	20
20	TJC20083-2x10A	18	22
30	TJC20083-2x15A	28	32
34	TJC20083-2x17A	32	36
42	TJC20083-2x21A	40	44
材质 · 表面处理 Material and Finish			
PA66+GF UL94V-0; 黄铜 镀锡 Brass Tin · Plated			

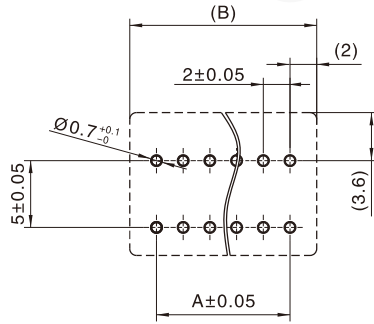
阳连接器 (立式, 直插, 含定位柱, 双排) Header (V,DIP, W/Boss, Double rows)



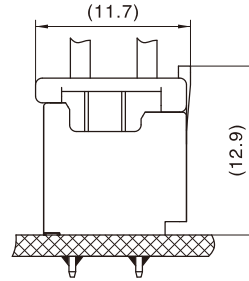
线数 Poles	型号 Type	尺寸 Dimensions (mm)	
		A	B
10	TJC20083-2x5AD	8	12
14	TJC20083-2x7AD	12	16
18	TJC20083-2x9AD	16	20
20	TJC20083-2x10AD	18	22
30	TJC20083-2x15AD	28	32
34	TJC20083-2x17AD	32	36
42	TJC20083-2x21AD	40	44
材质 · 表面处理 Material and Finish			
PA66+GF UL94V-0; 黄铜 镀锡 Brass Tin · Plated			

安装尺寸 Mounting Measurement

TJC20083-nA

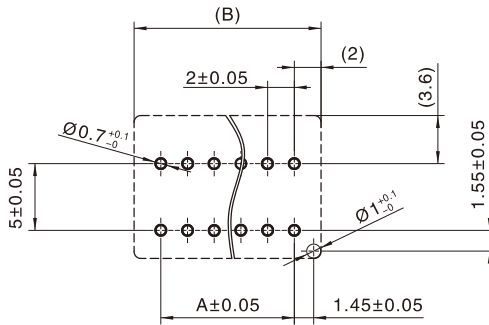


PCB Layout

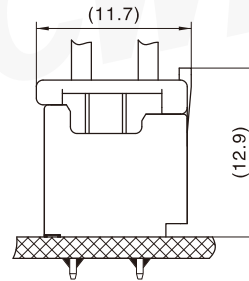


Assembly View
TJC20083-nA&TJC20083-nY
(DIM FYI)

TJC20083-nAD



PCB Layout



Assembly View
TJC20083-nAD&TJC20083-nY
(DIM FYI)