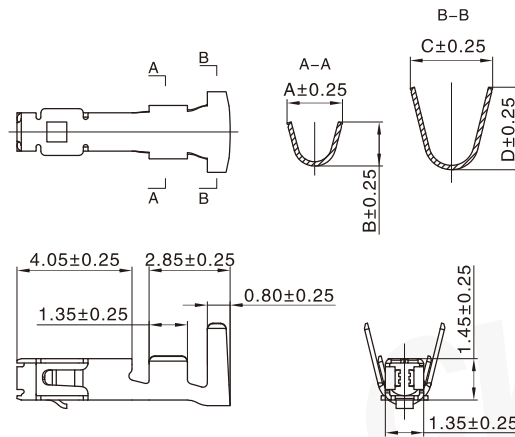


技术参数 (Specifications)

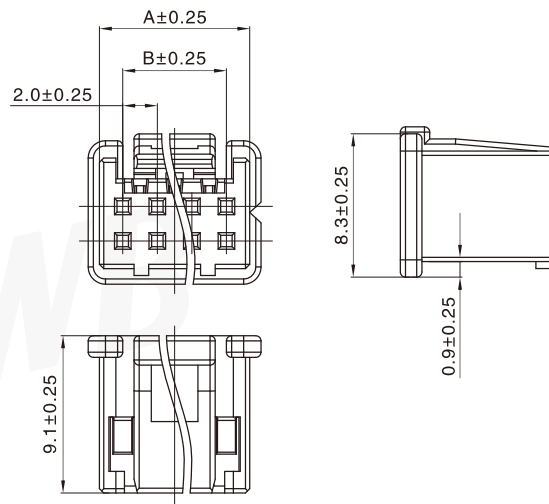
- 适用线规 (Applicable wires) : AWG#28~ AWG#22
- 适应基板厚度 (Applicable PC board thickness) : 1.6 mm
- 温度范围 (Temperature range) : -25°C~85°C
- 额定电压 (Voltage rating) : 250V AC/DC
- 额定电流 (Current rating) : 3A
- 接触电阻 (Contact resistance) : $\leq 10\text{m}\Omega$
- 绝缘电阻 (Insulation resistance) : $\geq 1000\text{M}\Omega$
- 耐电压 (Withstand voltage) : 800V AC/minute

插簧 Contact



型号 Type	适用导线范围 Wire Range		导线外径 Wire ins. Dis	尺寸 Dimensions (mm)			
	mm ²	AWG#		A	B	C	D
CH-TJC20084	0.22 ~ 0.33	24 ~ 22	1.4 ~ 1.5	1.95	1.55	2.9	2.9
CH-TJC20084-1	0.08 ~ 0.13	28 ~ 26	0.76 ~ 1.3	1.5	1.3	2.1	2.1
材质 · 表面处理 Material and Finish							
磷青铜 镀锡 Phos · bronze Tin · Plated							

孔座 Housing



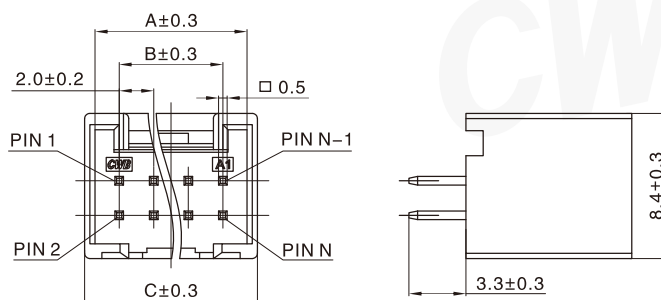
TJC20084 型条形连接器

TJC20084 Bar Connector

间距 (space) :2.0mm

线数 Poles	型号 Type	尺寸 Dimensions (mm)	
		A	B
8	TJC20084-2x4Y	8.70	6.00
10	TJC20084-2x5Y	10.70	8.00
12	TJC20084-2x6Y	12.70	10.00
14	TJC20084-2x7Y	14.70	12.00
16	TJC20084-2x8Y	16.70	14.00
18	TJC20084-2x9Y	18.70	16.00
20	TJC20084-2x10Y	20.70	18.00
22	TJC20084-2x11Y	22.70	20.00
24	TJC20084-2x12Y	24.70	22.00
26	TJC20084-2x13Y	26.70	24.00
28	TJC20084-2x14Y	28.70	26.00
32	TJC20084-2x16Y	32.70	30.00
36	TJC20084-2x18Y	36.70	34.00
40	TJC20084-2x20Y	40.70	38.00
材质 Material			
PA66 UL94V-0			

阳连接器 (立式, 直插) Header (V, DIP)



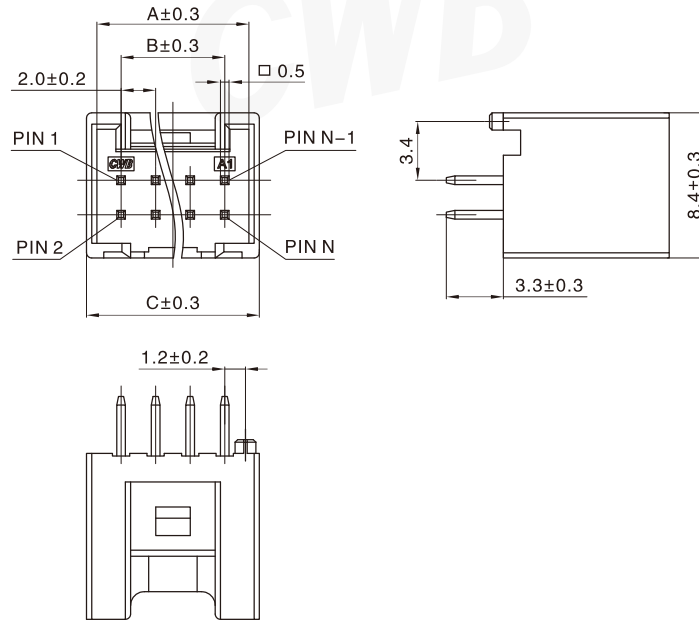
线数 Poles	型号 Type	尺寸 Dimensions (mm)		
		A	B	C
8	TJC20084-2x4A	8.80	6.00	10.0
10	TJC20084-2x5A	10.8	8.00	12.0
12	TJC20084-2x6A	12.8	10.00	14.0
14	TJC20084-2x7A	14.8	12.00	16.0
16	TJC20084-2x8A	16.8	14.00	18.0
18	TJC20084-2x9A	18.8	16.00	20.0
20	TJC20084-2x10A	20.8	18.00	22.0
22	TJC20084-2x11A	22.8	20.00	24.0
24	TJC20084-2x12A	24.8	22.00	26.0
26	TJC20084-2x13A	26.8	24.00	28.0
28	TJC20084-2x14A	28.8	26.00	30.0
材质 · 表面处理 Material and Finish				
PA66+GF UL94V-0; 黄铜 镀锡 Brass Tin · Plated				

TJC20084 型条形连接器

TJC20084 Bar Connector

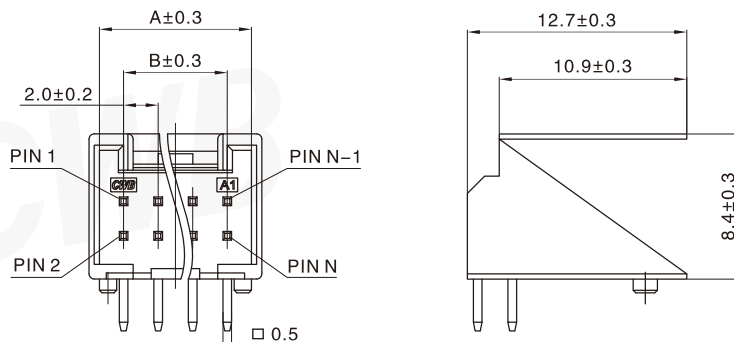
间距 (space) :2.0mm

阳连接器 (立式, 直插, 带定位柱) Header (V, DIP, W/Boss)



线数 Poles	型号 Type	尺寸 Dimensions (mm)		
		A	B	C
8	TJC20084-2x4AD	8.80	6.00	10.0
10	TJC20084-2x5AD	10.8	8.00	12.0
12	TJC20084-2x6AD	12.8	10.00	14.0
14	TJC20084-2x7AD	14.8	12.00	16.0
16	TJC20084-2x8AD	16.8	14.00	18.0
18	TJC20084-2x9AD	18.8	16.00	20.0
20	TJC20084-2x10AD	20.8	18.00	22.0
22	TJC20084-2x11AD	22.8	20.00	24.0
24	TJC20084-2x12AD	24.8	22.00	26.0
26	TJC20084-2x13AD	26.8	24.00	28.0
28	TJC20084-2x14AD	28.8	26.00	30.0
材质 · 表面处理 Material and Finish				
PA66+GF UL94V-0; 黄铜 镀锡 Brass Tin · Plated				

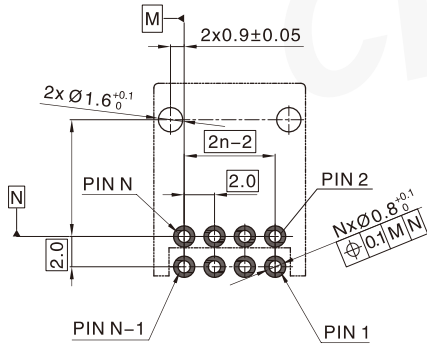
阳连接器 (卧式, 直插, 带挡板, 含定位柱) Header (H, DIP, W/PCB stabilizer, W/Boss)



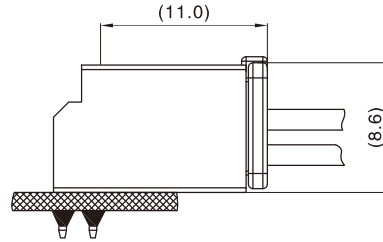
TJC20084 型条形连接器 TJC20084 Bar Connector

间距 (space) :2.0mm

TJC20084-2xnAWJD



PCB Layout



Assembly View
(TJC20084-2xnY&TJC20084-2xnAWJD)
(FYI)

CWB