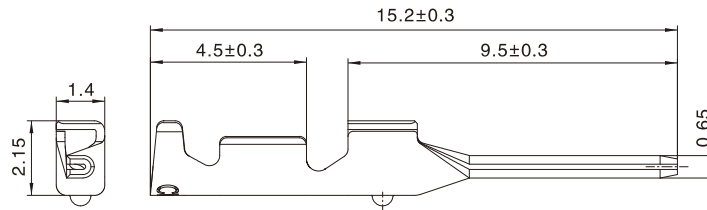


技术参数 (Specifications)

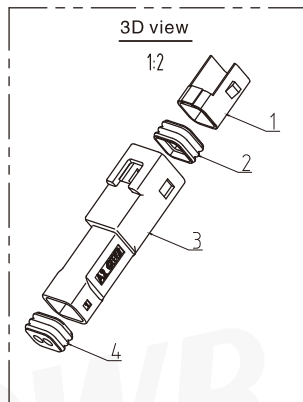
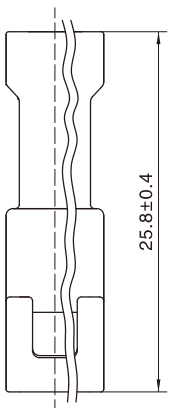
适用线规 (Applicable wires) : AWG#22 ~ #26
 温度范围 (Temperature range) : -55℃~85℃
 额定电压 (Voltage rating) : 100V AC/DC
 额定电流 (Current rating) : 3A (AWG#22) , 2.5A (AWG#24) ,
 1.5A (AWG#26)
 接触电阻 (Contact resistance) : ≤10mΩ
 绝缘电阻 (Insulation resistance) : ≥1000MΩ
 耐电压 (Withstand voltage) : 1000V AC/minute
 防水性能 (Waterproofness) : IPX7

插针 Pin Contact

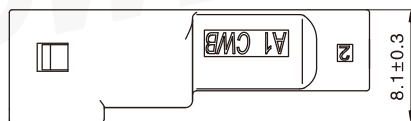
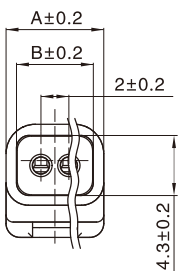


型号 Type	适用导线范围 Wire Range		导线外径 Wire ins.Dis
	mm ²	AWG#	
CZ-TJC20092	0.13 ~ 0.33	26 ~ 22	1.4 ~ 1.7
材质 · 表面处理 Material and Finish			
磷青铜 镀锡 Phos · bronze Tin · Plated			

针座组装件 Receptacle housing Assy



编号	名称 Part Name	材料 Material
1	Retainer	PBT+GF UL94 V-0
2	Seal ring	silica gel
3	Receptacle housing	PBT+GF UL94 V-0
4	Seal plug	silica gel



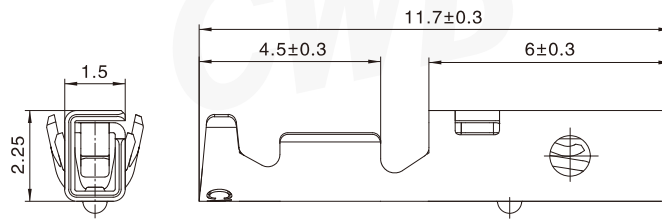
线数 Poles	型号 Part No.	尺寸 Dimensions (mm)	
		A	B
2	TJC20092-2AR	7	5.5
3	TJC20092-3AR	9	7.5

TJC20092 型条形连接器

TJC20092 Bar Connector

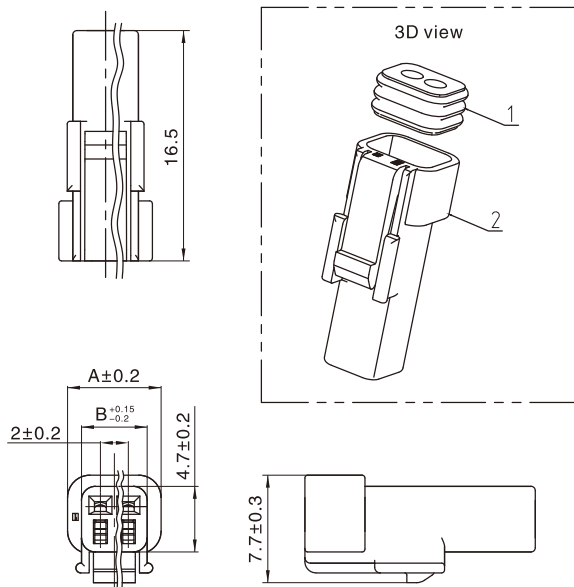
间距 (space) :2.0mm

插簧 Socket Contact



型号 Type	适用导线范围 Wire Range		导线外径 Wire ins.Dis
	mm ²	AWG#	
CH-TJC20092	0.13 ~ 0.33	26 ~ 22	1.4 ~ 1.7
材质 · 表面处理 Material and Finish			
铜合金 镀锡 Copper · alloy Tin · Plated			

孔座组装件 Plug housing Assy



编号	名称 Part Name	材料 Material
1	Seal plug	silica gel
2	Plug housing	PBT+GF UL94 V-0

线数 Poles	型号 Part No.	尺寸 Dimensions (mm)	
		A	B
2	TJC20092-2Y	6.7	4.7
3	TJC20092-3Y	8.7	6.7