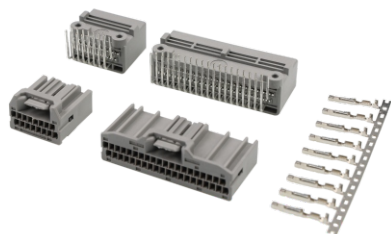
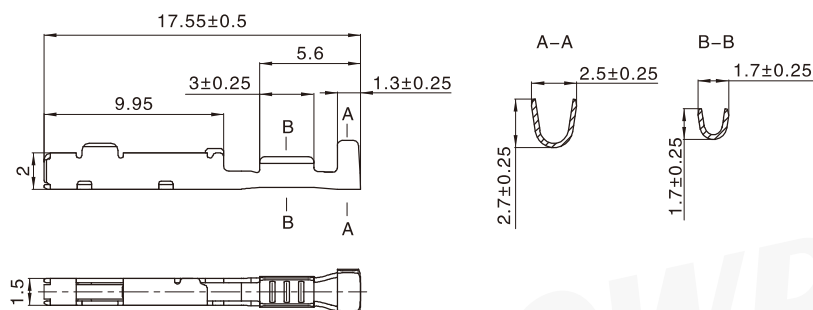


技术参数 (Specifications)



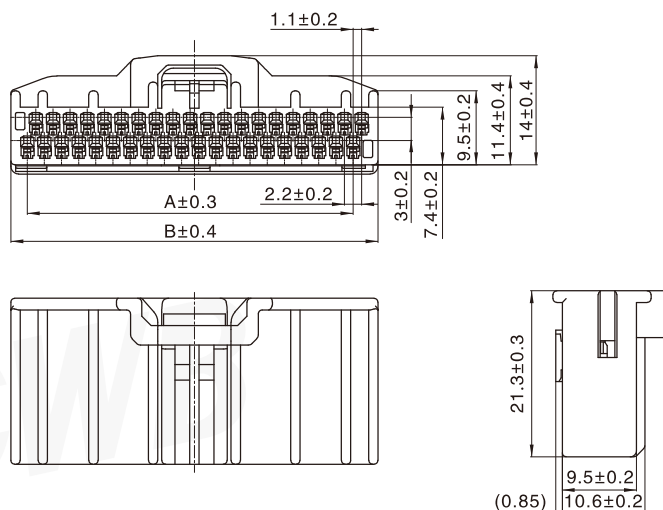
- 适用线规 (Applicable wires) : AWG#22
- 适应基板厚度 (Applicable PC board thickness) : 1.6 mm
- 温度范围 (Temperature range) : -40°C~85°C
- 额定电压 (Voltage rating) : 250V AC/DC
- 额定电流 (Current rating) : 3A (AWG#22)
- 接触电阻 (Contact resistance) : $\leq 10m\Omega$
- 绝缘电阻 (Insulation resistance) : $\geq 1000M\Omega$
- 耐电压 (Withstand voltage) : 1000V AC/minute

插簧 Contact



型号 Type	适用导线范围 Wire Range		导线外径 Wire ins.Dis
	mm ²	AWG#	
CH-TJC22002	0.35	FLRY-A 0.35mm ² (AWG#22)	1.25
材质 · 表面处理 Material and Finish			
铜合金 镀锡 Copper alloy Tin · Plated			

孔座 Housing



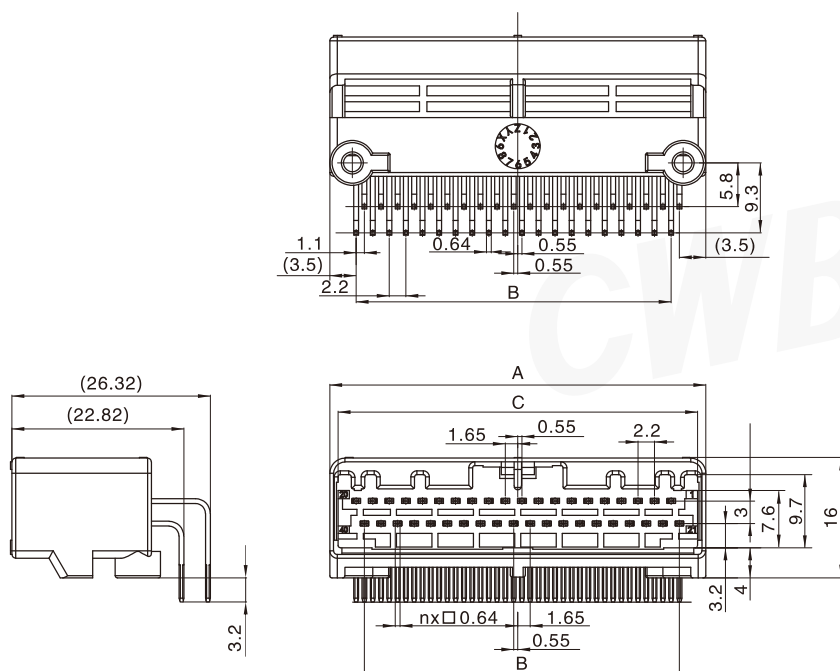
TJC22002 型条形连接器

TJC22002 Bar Connector

间距 (space) :2.2mm

线数 Poles	型号 Type	尺寸 Dimensions (mm)	
		A	B
16	TJC22002-2x8Y ASSY	15.4	20.7
24	TJC22002-2x12Y ASSY	24.4	29.5
28	TJC22002-2x14Y ASSY	28.6	33.9
32	TJC22002-2x16Y ASSY	33	38.3
36	TJC22002-2x18Y ASSY	37.4	42.7
40	TJC22002-2x20Y ASSY	41.8	47.1
材质 Material			
PA66 UL94 V-0			

阳连接器 (卧式, 直插) Header (H, DIP)



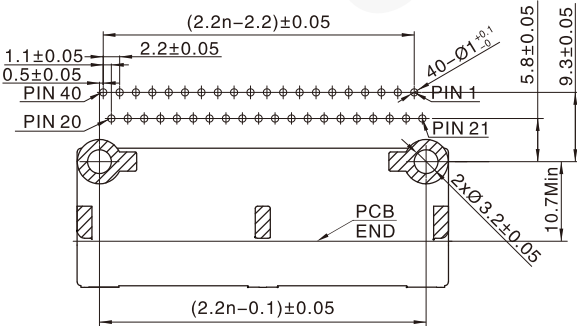
线数 Poles	型号 Type	尺寸 Dimensions (mm)		
		A	B	C
16	TJC22002-2x8AW	23.5	15.4	21.3
24	TJC22002-2x12AW	32.3	24.4	30.1
28	TJC22002-2x14AW	36.7	28.6	34.5
32	TJC22002-2x16AW	41.1	33	38.9
36	TJC22002-2x18AW	45.5	37.4	43.3
40	TJC22002-2x20AW	49.9	41.8	47.7
材质 · 表面处理 Material and Finish				
PA66+GF UL94V-0; 黄铜 镀锡 Brass Tin · Plated				

TJC22002 型条形连接器
TJC22002 Bar Connector

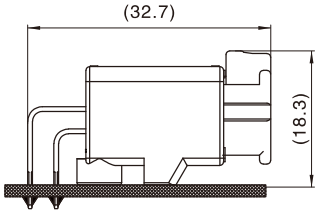
间距 (space) :2.2mm

安装尺寸 Mounting Measurement

TJC22002-2xnAW



RECOMMENDED PCB LAYOUT (TOP VIEW)
PCB THINCKNESS:1.6mm TOLERANCE:±0.05



Assembly View (FYI)

CWB