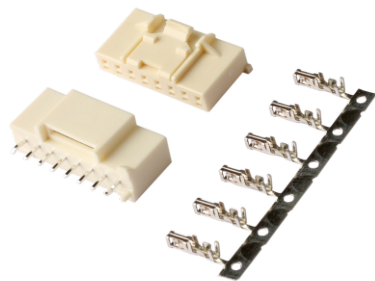


# TJC25058 型条形连接器


## TJC25058 Bar Connector

间距 ( space ) :2.5mm

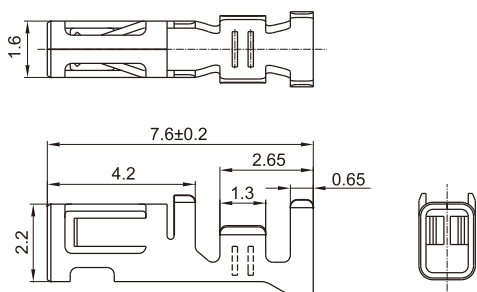


### 技术参数 ( Specifications )

适用线规 ( Applicable wires ) : AWG#24~AWG#22  
 适应基板厚度 ( Applicable PC board thickness ) : 1.6mm/2.0mm  
 温度范围 ( Temperature range ) : -30°C~105°C  
 额定电压 ( Voltage rating ) : 50V AC/DC  
 额定电流 ( Current rating ) : 3A Max.  
 接触电阻 ( Contact resistance ) : ≤10mΩ  
 绝缘电阻 ( Insulation resistance ) : ≥1000MΩ  
 耐电压 ( Withstand voltage ) : 1100V AC/Min.

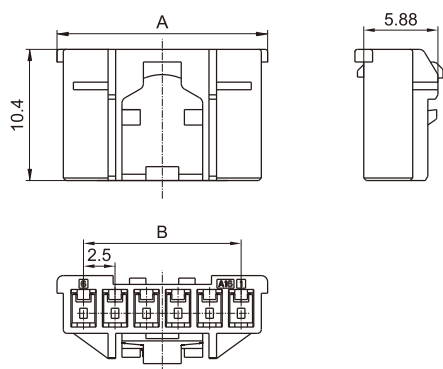
认证 ( Standards ) :  E200881

### 插簧 Contact



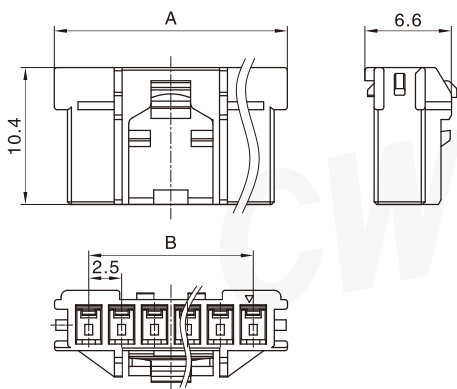
型号 Type	适用导线范围 Wire Range		导线外径 Wire ins.Dis
	mm <sup>2</sup>	AWG#	
CH-TJC25058	0.22 ~ 0.34	24 ~ 22	1.4 ~ 1.6
材质·表面处理 Material and Finish			
铜合金 镀锡 Copper alloy Tin·Plated			

### 孔座 (含锁紧片保持结构) Housing (W/Retainer)



线数 Poles	型号 Type	尺寸Dimensions ( mm )	
		A	B
2	TJC25058-2Y	6.7	2.5
3	TJC25058-3Y	9.2	5.0
4	TJC25058-4Y	11.7	7.5
6	TJC25058-6Y	16.7	12.5
8	TJC25058-8Y	21.7	17.5
材质 Material		PA66 UL94V-0	

### 孔座 (含锁紧片保持结构) Housing (W/Retainer)



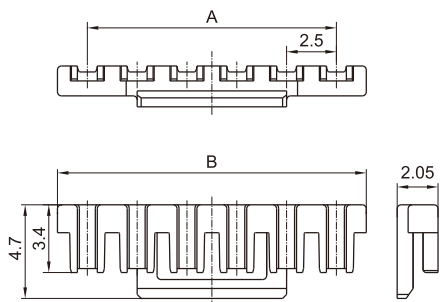
线数 Poles	型号 Type	尺寸Dimensions ( mm )	
		A	B
2	TJC25058-2Y-1	7.7	2.5
4	TJC25058-4Y-1	12.7	7.5
6	TJC25058-6Y-1	17.7	12.5
材质 Material		PA66 UL94V-0	

# TJC25058 型条形连接器

## TJC25058 Bar Connector

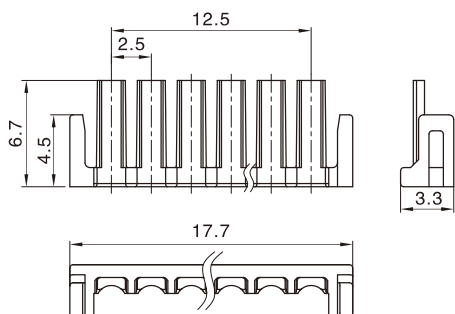
间距 ( space ) :2.5mm

### 锁紧片 Retainer



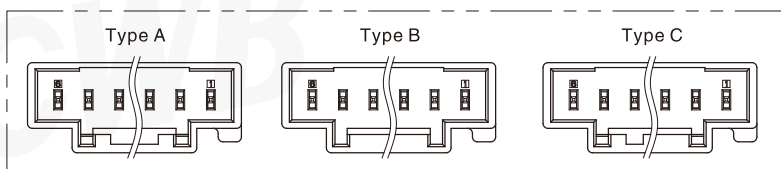
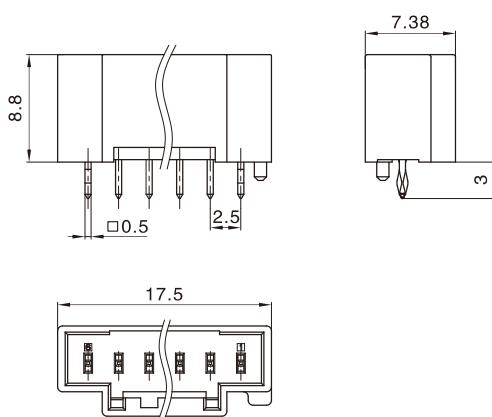
线数 Poles	型号 Type	尺寸Dimensions ( mm )	
		A	B
2	TJC25058-2YS	2.5	5.5
3	TJC25058-3YS	5.0	8.0
4	TJC25058-4YS	7.5	10.5
6	TJC25058-6YS	12.5	15.5
8	TJC25058-8YS	17.5	20.5
材质 Material			
PA66+GF UL94V-0			

### 锁紧片 Retainer



线数 Poles	型号 Type	尺寸Dimensions ( mm )	
		A	B
2	TJC25058-2YS-1	2.5	7.7
4	TJC25058-4YS-1	7.5	12.7
6	TJC25058-6YS-1	12.5	17.7
材质 Material			
PA66+GF UL94V-0			

### 阳连接器 (立式, 直插, 含定位柱, 含小弯) Header (V, DIP, W/Boss, W/Kink)



# TJC25058 型条形连接器

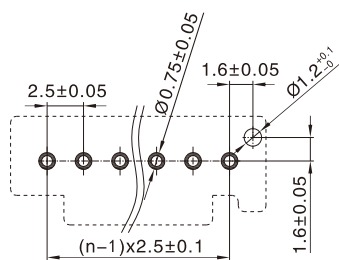
## TJC25058 Bar Connector

间距 ( space ) :2.5mm

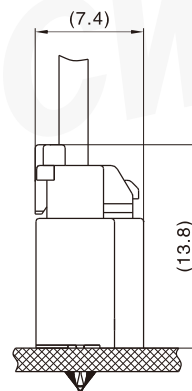
线数 Poles	型号 Type	尺寸 Dimension (mm)		颜色 Color	备注 Notes
		A	B		
2	TJC25058-2ADK	2.5	7.5	Natural	Type C
3	TJC25058-3ADK	5.0	10	Natural	Type C
	TJC25058-3ADK-2	5.0	10	Red	Type B
		5.0	10	Yellow	
TJC25058-3ADK-1	5.0	10	Blue	Type A	
4	TJC25058-4ADK	7.5	12.5	Natural	Type C
	TJC25058-4ADK-2	7.5	12.5	Red	Type B
		7.5	12.5	Yellow	
TJC25058-4ADK-1	7.5	12.5	Blue	Type A	
6	TJC25058-6ADK	12.5	17.5	Natural	Type C
	TJC25058-6ADK-2	12.5	17.5	Red	Type B
		12.5	17.5	Yellow	
TJC25058-6ADK-1	12.5	17.5	Blue	Type A	
8	TJC25058-8ADK	17.5	22.5	Natural	Type C
材质 · 表面处理 Material and Finish					
PA66+GF UL94V-0; 黄铜 镀锡 Brass Tin · Plated					

### 安装尺寸 Mounting Measurement

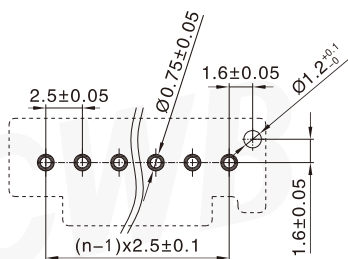
TJC25058-nADK-\*  
Panel thickness: 1.6mm/2.0mm



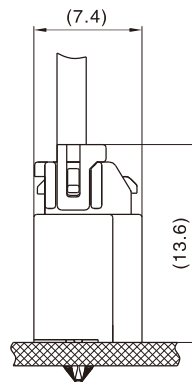
PCB Layout



Assembly View  
TJC25058-nAD-\*&TJC25058-nY  
(FYI)



PCB Layout



Assembly View  
TJC25058-nAD-\*&TJC25058-nY-1  
(FYI)