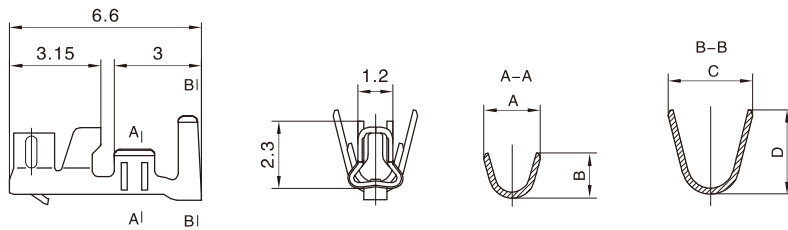


**技术参数 ( Specifications )**

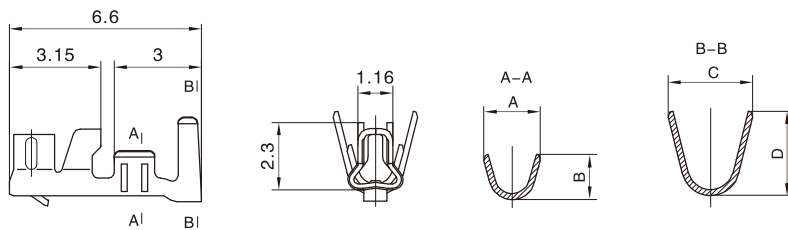
- 适用线规 ( Applicable wires ) : AWG#28~AWG#20
- 适应基板厚度 ( Applicable PC board thickness ) : 0.5~1.8 mm
- 温度范围 ( Temperature range ) : -25°C~85°C
- 额定电压 ( Voltage rating ) : 250V AC/DC
- 额定电流 ( Current rating ) : 4A ( AWG#20 )
- 接触电阻 ( Contact resistance ) :  $\leq 10m\Omega$
- 绝缘电阻 ( Insulation resistance ) :  $\geq 1000M\Omega$
- 耐电压 ( Withstand voltage ) : 1000V AC/minute

**插簧 Contact**



型号 Type	适用导线范围 Wire Range		导线外径 Wire ins.Dis	尺寸 Dimensions (mm)			
	mm <sup>2</sup>	AWG#		A	B	C	D
CH-TJC2509	0.2 ~ 0.33	24 ~ 22	1.4 ~ 1.6	1.9	1.5	2.9	2.9
CH-TJC2509-1	0.08 ~ 0.14	28 ~ 26	0.92 ~ 1.44	1.5	1.3	2.1	2.1
CH-TJC2509-2	0.52	20	1.75 ~ 1.9	2.2	2.0	2.9	2.9
材质 · 表面处理 Material and Finish							
磷青铜 镀锡 Phos · bronze Tin · Plated							

**插簧 (低插入力型) Socket contact (Low insertion force type)**



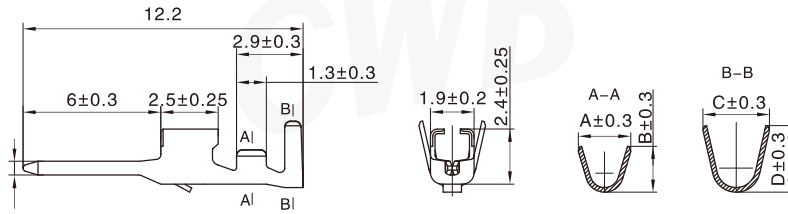
型号 Type	适用导线范围 Wire Range		导线外径 Wire ins.Dis	尺寸 Dimensions (mm)			
	mm <sup>2</sup>	AWG#		A	B	C	D
CH-TJC2509-L	0.2 ~ 0.33	24 ~ 22	1.4 ~ 1.6	1.9	1.5	2.9	2.9
CH-TJC2509-L-1	0.08 ~ 0.14	28 ~ 26	0.92 ~ 1.44	1.5	1.3	2.1	2.1
CH-TJC2509-L-2	0.52	20	1.75 ~ 1.9	2.2	2.0	2.9	2.9
材质 · 表面处理 Material and Finish							
磷青铜 镀锡 Phos · bronze Tin · Plated							

# TJC25066 型条形连接器

## TJC25066 Bar Connector

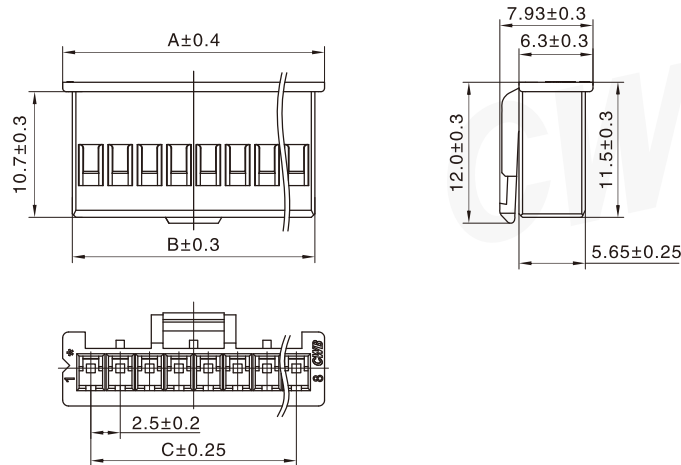
间距 ( space ) :2.5mm

### 插针 Pin Contact



型号 Type	适用导线范围 Wire Range		导线外径 Wire ins. Dis	尺寸 Dimensions (mm)			
	mm <sup>2</sup>	AWG#		A	B	C	D
CZ-TJC25066	0.22 ~ 0.52	24 ~ 20	1.2 ~ 1.9	2.3	2.0	2.9	2.9
CZ-TJC25066-1	0.08 ~ 0.13	28 ~ 26	1.2 ~ 1.3	1.9	1.5	2.9	2.9
材质 · 表面处理 Material and Finish							
磷青铜 镀锡 Phos · bronze Tin · Plated							

### 孔座 (含锁紧片保持结构) Plug housing (Retainer mountable type)



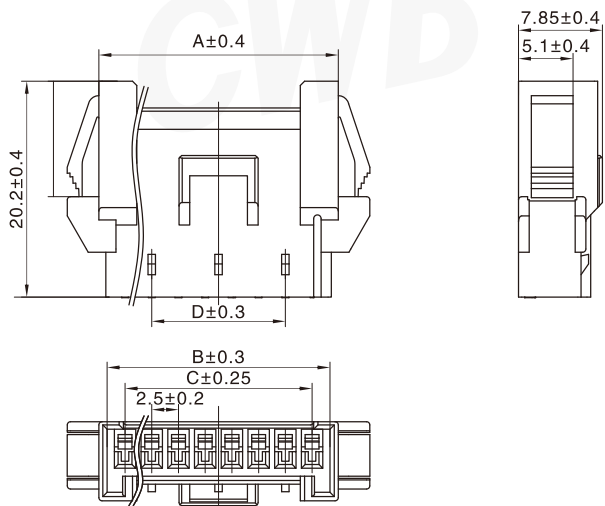
线数 Poles	型号 Type	尺寸 Dimensions (mm)		
		A	B	C
2	TJC25066-2Y	8.8	7.15	2.5
3	TJC25066-3Y	9.8	8.15	5.0
4	TJC25066-4Y	12.3	10.65	7.5
5	TJC25066-5Y	14.8	13.15	10.0
6	TJC25066-6Y	17.3	15.65	12.5
7	TJC25066-7Y	19.8	18.15	15.0
8	TJC25066-8Y	22.3	20.65	17.5
9	TJC25066-9Y	24.8	23.15	20.0
10	TJC25066-10Y	27.3	25.65	22.5
11	TJC25066-11Y	29.8	28.15	25.0
12	TJC25066-12Y	32.3	30.65	27.5
材质 Material				
PA66 UL94V-0				

# TJC25066 型条形连接器

## TJC25066 Bar Connector

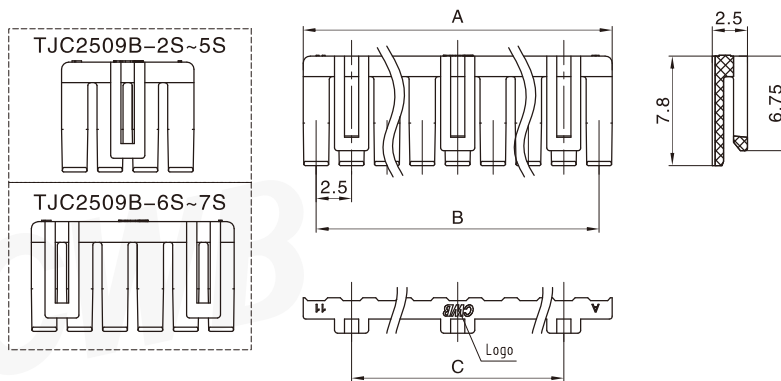
间距 ( space ) :2.5mm

针座 (面板安装, 含锁紧片保持结构) Receptacle housing (Panel mount, Retainer mountable type)



线数 Poles	型号 Type	尺寸 Dimensions (mm)			
		A	B	C	D
2	TJC25066-2ARP	8.9	7.35	2.5	/
3	TJC25066-3ARP	9.9	8.35	5.0	/
4	TJC25066-4ARP	12.4	10.85	7.5	/
5	TJC25066-5ARP	14.9	13.35	10.0	/
6	TJC25066-6ARP	17.4	15.85	12.5	10.0
7	TJC25066-7ARP	19.9	18.35	15.0	10.0
8	TJC25066-8ARP	22.4	20.85	17.5	12.5
9	TJC25066-9ARP	24.9	23.35	20.0	15.0
10	TJC25066-10ARP	27.4	25.85	22.5	17.5
11	TJC25066-11ARP	29.9	28.35	25.0	20.0
12	TJC25066-12ARP	32.4	30.85	27.5	22.5
材质 Material		PA66 UL94V-0			

### 锁紧片 Retainer



# TJC25066 型条形连接器

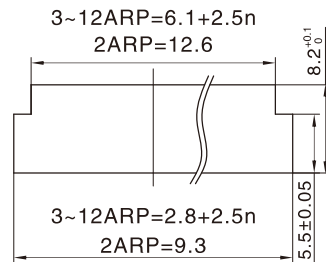
## TJC25066 Bar Connector

间距 ( space ) :2.5mm

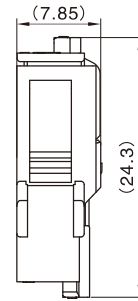
线数 Poles	型号 Type	尺寸 Dimensions (mm)		
		A	B	C
2	TJC2509B-2S	4.35	2.5	/
3	TJC2509B-3S	6.85	5.0	/
4	TJC2509B-4S	9.35	7.5	/
5	TJC2509B-5S	11.85	10.0	/
6	TJC2509B-6S	14.35	12.5	10.0
7	TJC2509B-7S	16.85	15.0	10.0
8	TJC2509B-8S	19.35	17.5	12.5
9	TJC2509B-9S	21.85	20.0	15.0
10	TJC2509B-10S	24.35	22.5	17.5
11	TJC2509B-11S	26.85	25.0	20.0
12	TJC2509B-12S	29.35	27.5	22.5
13	TJC2509B-13S	31.85	30.0	25.0
14	TJC2509B-14S	34.35	32.5	27.5
15	TJC2509B-15S	36.85	35.0	30.0
16	TJC2509B-16S	39.35	37.5	32.5
材质 Material				
PA66 UL94V-0				

### 安装尺寸 Mounting Measurement

TJC25066-nARP



PCB Layout



Assembly View  
(DIM FYI)