
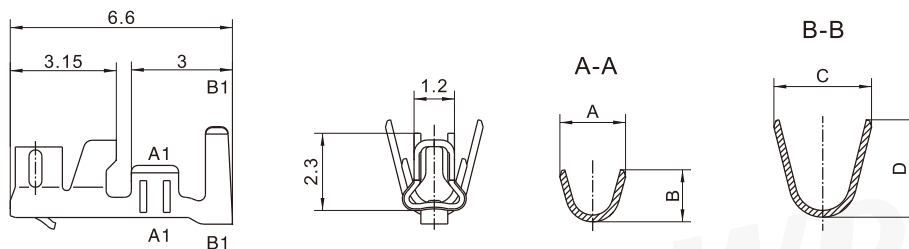


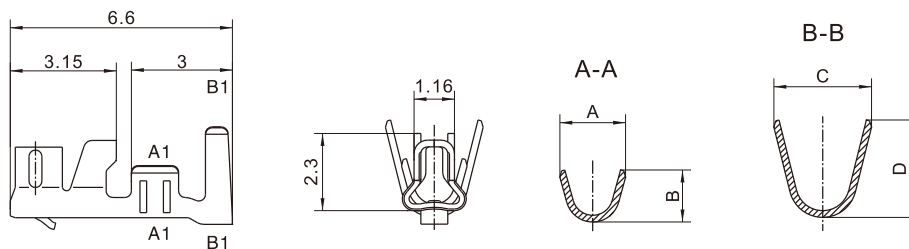
技术参数 (Specifications)

- 适用线规 (Applicable wires) : AWG#28~AWG#20
- 适应基板厚度 (Applicable PC board thickness) : 1.1~1.6 mm
- 温度范围 (Temperature range) : -40°C~105°C
- 额定电压 (Voltage rating) : 250V AC/DC
- 额定电流 (Current rating) : 4A
- 接触电阻 (Contact resistance) : $\leq 10\text{m}\Omega$
- 绝缘电阻 (Insulation resistance) : $\geq 1000\text{M}\Omega$
- 耐压 (Withstand voltage) : 1000V AC/minute
- 认证 (Standards) :  E200881

插簧 Contact



型号 Type	适用导线范围 Wire Range		导线外径 Wire ins.Dis	尺寸 Dimensions (mm)			
	mm ²	AWG#		A	B	C	D
CH-TJC2509	0.2~0.33	24~22	1.4~1.6	1.9	1.5	2.9	2.9
CH-TJC2509-1	0.08~0.14	28~26	0.92~1.44	1.5	1.3	2.1	2.1
CH-TJC2509-2	0.52	20	1.75~1.9	2.2	2.0	2.9	2.9
材质·表面处理 Material and Finish							
磷青铜 镀锡 Phos·bronze Tin·Plated							



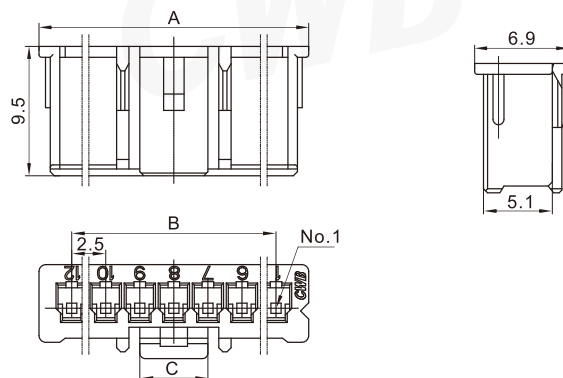
型号 Type	适用导线范围 Wire Range		导线外径 Wire ins.Dis	尺寸 Dimensions (mm)			
	mm ²	AWG#		A	B	C	D
CH-TJC2509-L	0.2~0.33	24~22	1.4~1.6	1.9	1.5	2.9	2.9
CH-TJC2509-L-1	0.08~0.14	28~26	0.92~1.44	1.5	1.3	2.1	2.1
CH-TJC2509-L-2	0.52	20	1.75~1.9	2.2	2.0	2.9	2.9
材质·表面处理 Material and Finish							
磷青铜 镀锡 Phos·bronze Tin·Plated							

TJC2509 型条形连接器

TJC2509 Bar Connector

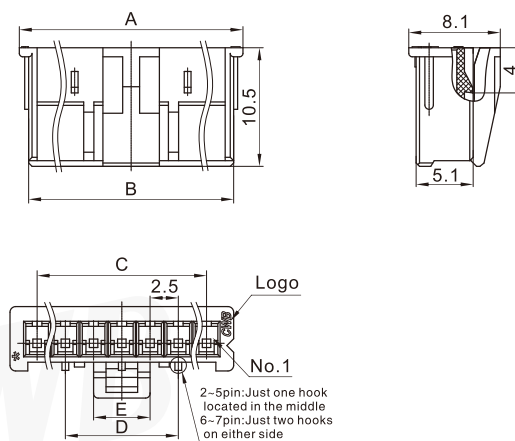
间距 (space) :2.5mm

孔座 Housing



线数 Poles	型号 Type	尺寸 Dimensions (mm)		
		A	B	C
2	TJC2509-2Y	7.3	2.5	2.9
3	TJC2509-3Y	9.8	5.0	4.4
4	TJC2509-4Y	12.3	7.5	5.0
5	TJC2509-5Y	14.8	10.0	5.0
6	TJC2509-6Y	17.3	12.5	5.0
7	TJC2509-7Y	19.8	15.0	5.0
8	TJC2509-8Y	22.3	17.5	5.0
10	TJC2509-10Y	27.3	22.5	5.0
12	TJC2509-12Y	32.3	27.5	5.0
材质 Material PA66 UL94V-0				

孔座 (含锁紧片保持结构) Housing (W/Retainer)



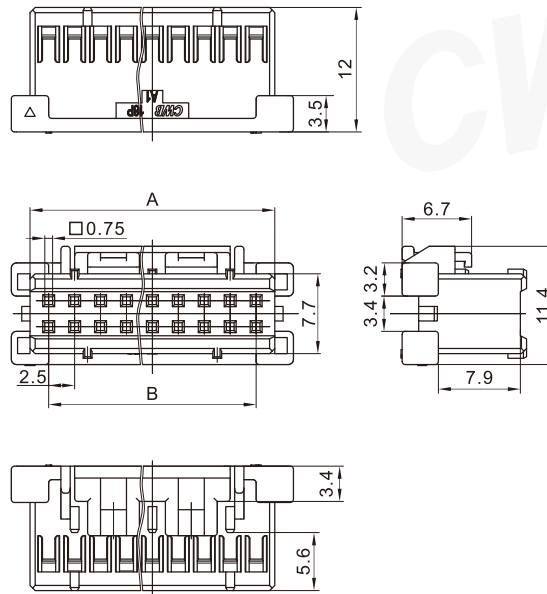
TJC2509 型条形连接器

TJC2509 Bar Connector

间距 (space) :2.5mm

线数 Poles	型号 Type	尺寸 Dimensions (mm)				
		A	B	C	D	E
2	TJC2509B-2Y	7.3	5.65	2.5	/	3.9
3	TJC2509B-3Y	9.8	8.15	5.0	/	4.5
4	TJC2509B-4Y	12.3	10.65	7.5	/	5
5	TJC2509B-5Y	14.8	13.15	10.0	/	5
6	TJC2509B-6Y	17.3	15.65	12.5	10.0	5
7	TJC2509B-7Y	19.8	18.15	15.0	10.0	5
8	TJC2509B-8Y	22.3	20.65	17.5	12.5	5
9	TJC2509B-9Y	24.8	23.15	20.0	15.0	5
10	TJC2509B-10Y	27.3	25.65	22.5	17.5	5
11	TJC2509B-11Y	29.8	28.15	25.0	20.0	5
12	TJC2509B-12Y	32.3	30.65	27.5	22.5	5
13	TJC2509B-13Y	34.8	33.15	30.0	25.0	5
14	TJC2509B-14Y	37.3	35.65	32.5	27.5	5
15	TJC2509B-15Y	39.8	38.15	35.0	30.0	5
16	TJC2509B-16Y	42.3	40.65	32.5	32.5	5
材质 Material		PA66 UL94V-0				

孔座 (含锁紧片保持结构) Housing (W/Retainer)



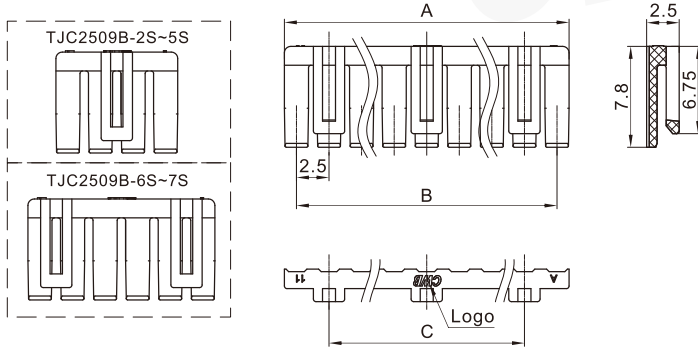
线数 Poles	型号 Type	尺寸 Dimensions (mm)	
		A	B
10	TJC2509-2 × 5Y	13.6	10.0
14	TJC2509-2 × 7Y	18.6	15.0
18	TJC2509-2 × 9Y	23.6	20.0
20	TJC2509-2 × 10Y	26.1	22.5
22	TJC2509-2 × 11Y	28.6	25.0
28	TJC2509-2 × 14Y	36.1	32.5
34	TJC2509-2 × 17Y	43.6	40.0
36	TJC2509-2 × 18Y	46.1	42.5
材质 Material		PA66 UL94V-0	

TJC2509 型条形连接器

TJC2509 Bar Connector

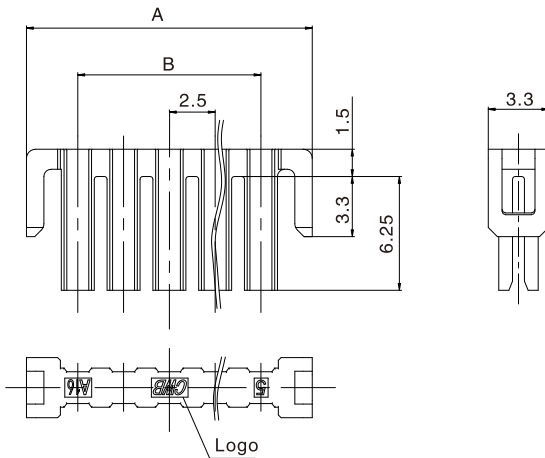
间距 (space) : 2.5mm

锁紧片 Retainer



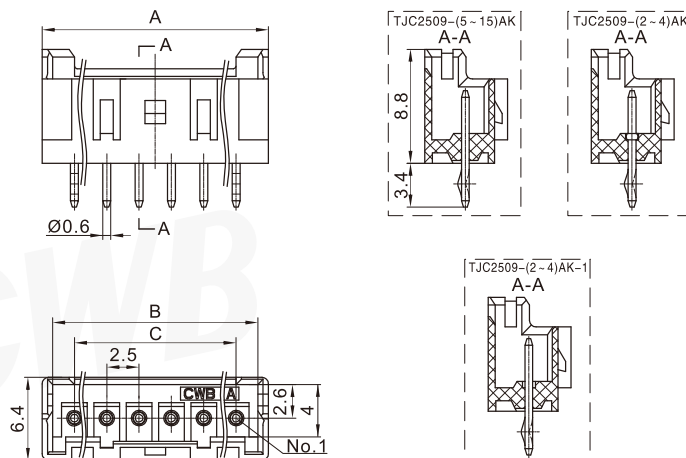
线数 Poles	型号 Type	尺寸 Dimensions (mm)		
		A	B	C
2	TJC2509B-2S	4.35	2.5	/
3	TJC2509B-3S	6.85	5.0	/
4	TJC2509B-4S	9.35	7.5	/
5	TJC2509B-5S	11.85	10.0	/
6	TJC2509B-6S	14.35	12.5	10.0
7	TJC2509B-7S	16.85	15.0	10.0
8	TJC2509B-8S	19.35	17.5	12.5
9	TJC2509B-9S	21.85	20.0	15.0
10	TJC2509B-10S	24.35	22.5	17.5
11	TJC2509B-11S	26.85	25.0	20.0
12	TJC2509B-12S	29.35	27.5	22.5
13	TJC2509B-13S	31.85	30.0	25.0
14	TJC2509B-14S	34.35	32.5	27.5
15	TJC2509B-15S	36.85	35.0	30.0
16	TJC2509B-16S	39.35	37.5	32.5
材质 Material				
PA66 UL94 V-0				

锁紧片 (双排) Retainer (Double rows)



线数 Poles	型号 Type	尺寸 Dimensions (mm)	
		A	B
10	TJC2509-2×5YS	15.6	10
14	TJC2509-2×7YS	20.6	15
18	TJC2509-2×9YS	25.6	20
材质·表面处理 Material and Finish			
PA66+GF UL94V-0			

阳连接器 (立式, 直插, 含小弯) Header (V, DIP, W/Kink)



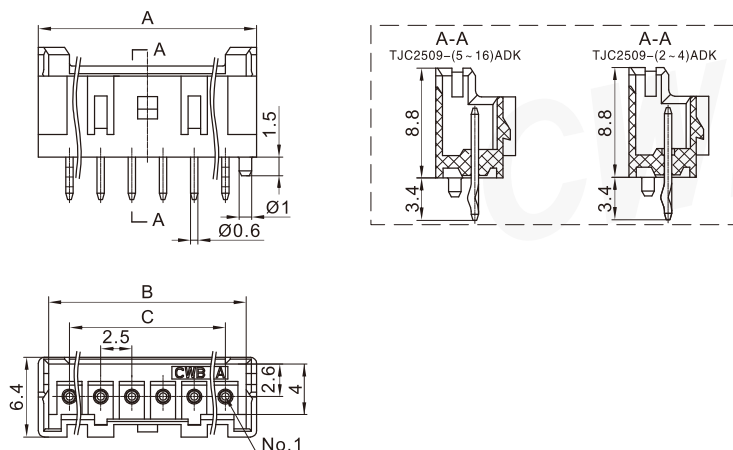
TJC2509 型条形连接器

TJC2509 Bar Connector

间距 (space) :2.5mm

线数 Poles	型号 Type		尺寸 Dimensions (mm)		
			A	B	C
2	TJC2509-2AK-1	TJC2509-2AK	7.5	5.8	2.5
3	TJC2509-3AK-1	TJC2509-3AK	10.0	8.3	5.0
4	TJC2509-4AK-1	TJC2509-4AK	12.5	10.8	7.5
5	/	TJC2509-5AK	15.0	13.3	10.0
6	/	TJC2509-6AK	17.5	15.8	12.5
7	/	TJC2509-7AK	20.0	18.3	15.0
8	/	TJC2509-8AK	22.5	20.8	17.5
9	/	TJC2509-9AK	25.0	23.3	20.0
10	/	TJC2509-10AK	27.5	25.8	22.5
11	/	TJC2509-11AK	30.0	28.3	25.0
12	/	TJC2509-12AK	32.5	30.8	27.5
13	/	TJC2509-13AK	35.0	33.3	30.0
14	/	TJC2509-14AK	37.5	35.8	32.5
15	/	TJC2509-15AK	40.0	38.3	35.0
材质 · 表面处理 Material and Finish					
PA66 UL94V-0; 黄铜 镀锡 Brass Tin · Plated					

阳连接器 (立式, 直插, 含定位柱, 含小弯) Header (V, DIP, W/Boss, W/Kink)



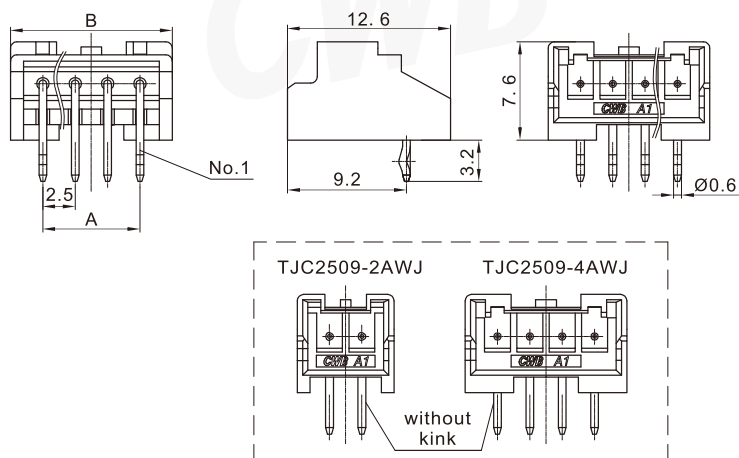
线数 Poles	型号 Type		尺寸 Dimensions (mm)		
			A	B	C
2	TJC2509-2ADK	TJC2509-2ADK	7.5	5.8	2.5
3	TJC2509-3ADK	TJC2509-3ADK	10.0	8.3	5.0
4	TJC2509-4ADK	TJC2509-4ADK	12.5	10.8	7.5
5	TJC2509-5ADK	TJC2509-5ADK	15.0	13.3	10.0
6	TJC2509-6ADK	TJC2509-6ADK	17.5	15.8	12.5
7	TJC2509-7ADK	TJC2509-7ADK	20.0	18.3	15.0
8	TJC2509-8ADK	TJC2509-8ADK	22.5	20.8	17.5
9	TJC2509-9ADK	TJC2509-9ADK	25.0	23.3	20.0
10	TJC2509-10ADK	TJC2509-10ADK	27.5	25.8	22.5
11	TJC2509-11ADK	TJC2509-11ADK	30.0	28.3	25.0
12	TJC2509-12ADK	TJC2509-12ADK	32.5	30.8	27.5
13	TJC2509-13ADK	TJC2509-13ADK	35.0	33.3	30.0
14	TJC2509-14ADK	TJC2509-14ADK	37.5	35.8	32.5
15	TJC2509-15ADK	TJC2509-15ADK	40.0	38.3	35.0
16	TJC2509-16ADK	TJC2509-16ADK	42.5	40.8	37.5
材质 · 表面处理 Material and Finish					
PA66 UL94V-0; 黄铜 镀锡 Brass Tin · Plated					

TJC2509 型条形连接器

TJC2509 Bar Connector

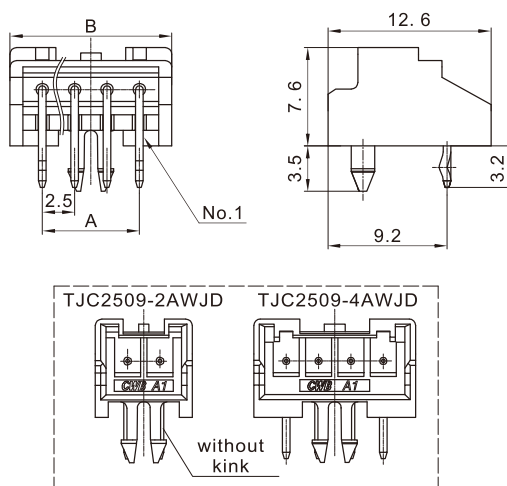
间距 (space) :2.5mm

阳连接器 (卧式, 直插, 带挡板) Header (H, DIP, W/PCB stabilizer)



线数 Poles	型号 Type		尺寸 Dimensions (mm)	
			A	B
2	TJC2509-2AWJ	/	2.5	7.5
4	TJC2509-4AWJ	TJC2509-4AWJK	7.5	12.5
材质 · 表面处理 Material and Finish				
PA66 UL94V-0; 黄铜 镀锡 Brass Tin · Plated				

阳连接器 (卧式, 直插, 带挡板, 含定位柱) Header (H, DIP, W/PCB stabilizer,W/Boss)



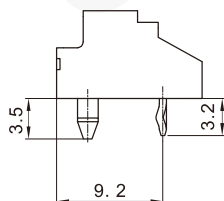
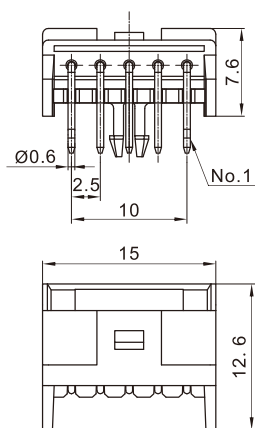
线数 Poles	型号 Type		尺寸 Dimensions (mm)	
			A	B
2	TJC2509-2AWJD	TJC2509-2AWJDK	2.5	7.5
4	TJC2509-4AWJD	TJC2509-4AWJDK	7.5	12.5
材质 · 表面处理 Material and Finish				
PA66 UL94V-0; 黄铜 镀锡 Brass Tin · Plated				

TJC2509 型条形连接器

TJC2509 Bar Connector

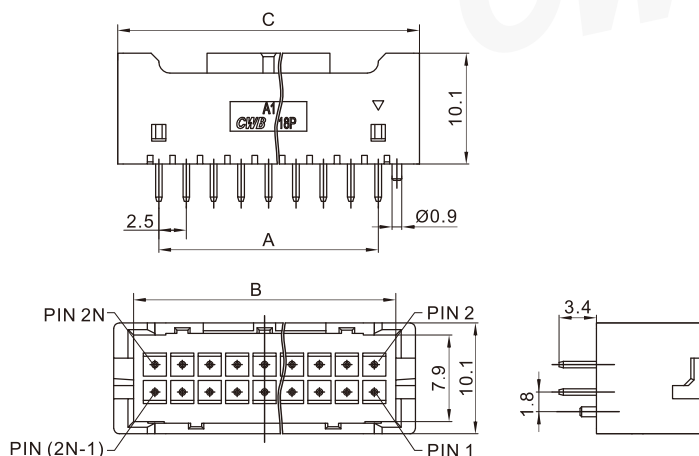
间距 (space) :2.5mm

阳连接器 (卧式, 直插, 带挡板, 含定位柱, 含小弯) Header (H, DIP, W/PCB stabilizer, W/Boss, W/Kink)



线数 Poles	型号 Type
5	TJC2509-5AWJDK
材质 · 表面处理 Material and Finish	
PA66 UL94V-0; 黄铜 镀锡 Brass Tin · Plated	

阳连接器 (立式, 直插, 含定位柱) Header (V, DIP, W/Boss)



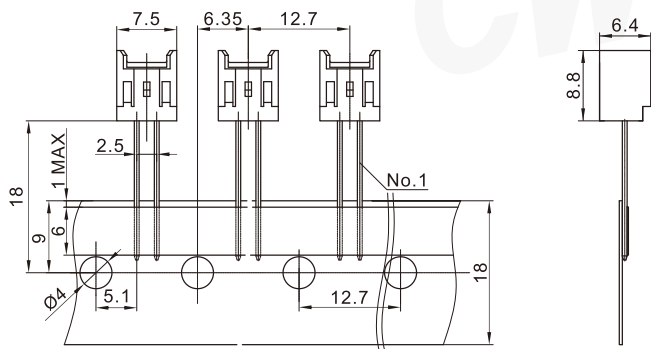
线数 Poles	型号 Type	尺寸 Dimensions (mm)		
		A	B	C
18	TJC2509-2 × 9AD	20.0	23.9	27.5
20	TJC2509-2 × 10AD	22.5	26.4	30.0
22	TJC2509-2 × 11AD	25.0	28.9	32.5
28	TJC2509-2 × 14AD	32.5	36.4	40.0
34	TJC2509-2 × 17AD	40.0	43.9	47.5
36	TJC2509-2 × 18AD	42.5	46.4	50.0
材质 · 表面处理 Material and Finish				
PA66 UL94V-0; 黄铜 镀锡 Brass Tin · Plated				

TJC2509 型条形连接器

TJC2509 Bar Connector

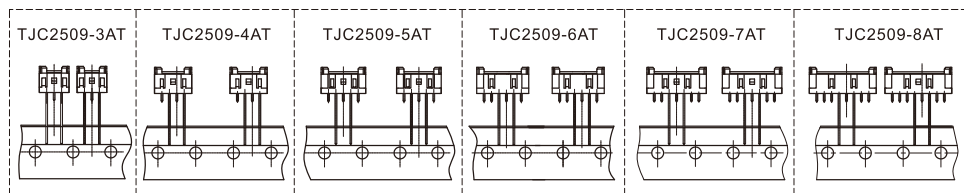
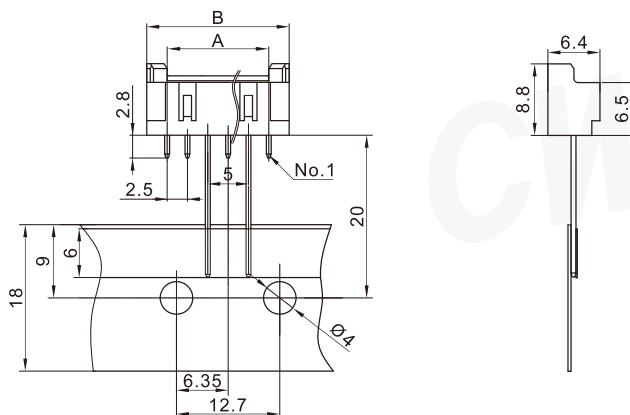
间距 (space) :2.5mm

阳连接器 (立式, 直插) Header (V, DIP)



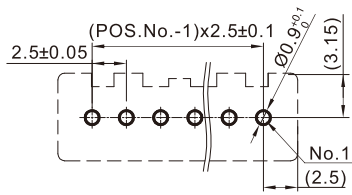
线数 Poles	型号 Type
2	TJC2509-2AT
材质 · 表面处理 Material and Finish	
PA66 UL94V-0; 黄铜 镀锡 Brass Tin · Plated	

阳连接器 (立式, 直插) Header (V, DIP)

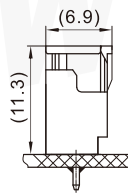


线数 Poles	型号 Type	尺寸 Dimensions (mm)	
		A	B
3	TJC2509-3AT	5.0	10.0
4	TJC2509-4AT	7.5	12.5
5	TJC2509-5AT	10.0	15.0
6	TJC2509-6AT	12.5	17.5
7	TJC2509-7AT	15.0	20.0
8	TJC2509-8AT	17.5	22.5
材质 · 表面处理 Material and Finish			
PA66 UL94V-0; 黄铜 镀锡 Brass Tin · Plated			

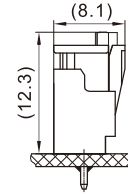
安装尺寸 Mounting Measurement



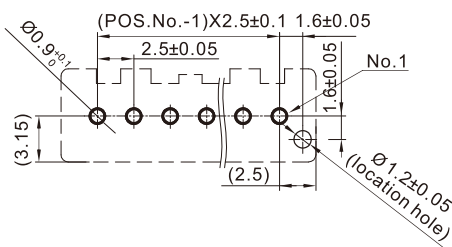
PCB Layout



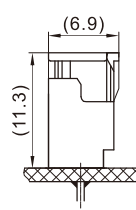
Assembly View
(TJC2509-nAK&TJC2509-nY)
(DIM FYI)



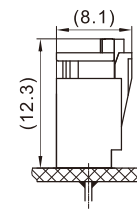
Assembly View
(TJC2509-nAK&TJC2509B-nY)
(DIM FYI)



PCB Layout



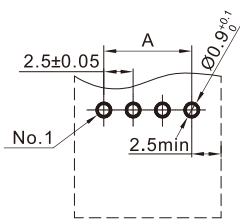
Assembly View
(TJC2509-nADK&TJC2509-nY)
(DIM FYI)



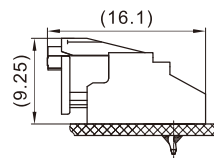
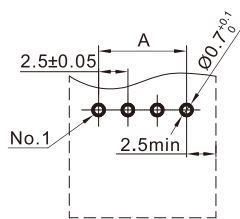
Assembly View
(TJC2509-nADK&TJC2509B-nY)
(DIM FYI)

TJC2509-nAWJK

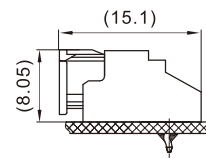
TJC2509-nAWJ



PCB Layout



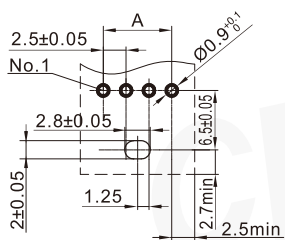
Assembly View
(TJC2509-nAWJK&
TJC2509-nY)
(FYI)



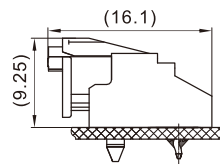
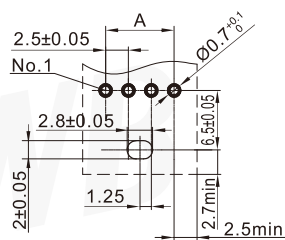
Assembly View
(TJC2509-nAWJK&
TJC2509B-nY)
(FYI)

TJC2509-nAWJDK

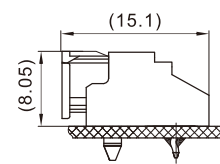
TJC2509-nAWJD



PCB Layout



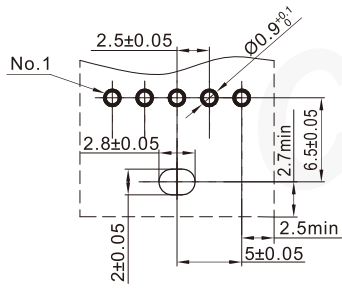
Assembly View
(TJC2509-nAWJDK&
TJC2509-nY)
(FYI)



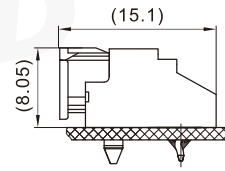
Assembly View
(TJC2509-nAWJDK&
TJC2509B-nY)
(FYI)

TJC2509 型条形连接器
TJC2509 Bar Connector

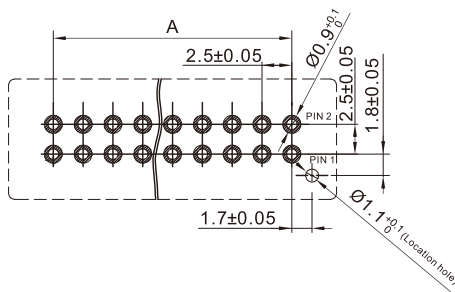
间距 (space) :2.5mm



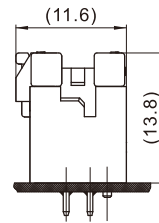
PCB Layout



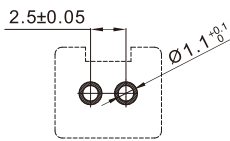
Assembly View
 (TJC2509-5AWDJK&TJC2509B-5Y)
 (FYI)



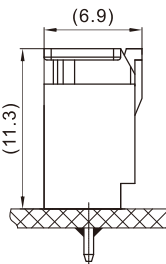
PCB Layout



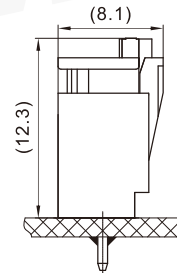
Assembly View
 (TJC2509-2XnAD&TJC2509-2XnY)
 (FYI)



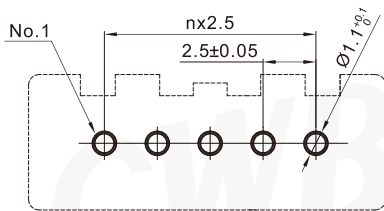
PCB Layout



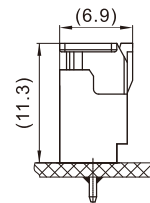
Assembly View
 (TJC2509-2AT&
 TJC2509-2Y)
 (FYI)



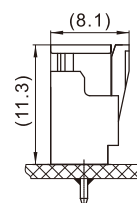
Assembly View
 (TJC2509-2AT&
 TJC2509B-2Y)
 (FYI)



PCB Layout



Assembly View
 (TJC2509-nAT&
 TJC2509-nY)
 (FYI)



Assembly View
 (TJC2509-nAT&
 TJC2509B-nY)
 (FYI)