



技术参数 (Specifications)

适应基板厚度 (Applicable PC board thickness) : 1.2~1.6 mm

温度范围 (Temperature range) : -25°C~85°C

额定电压 (Voltage rating) : 250V AC/DC

额定电流 (Current rating) : 2A


接触电阻 (Contact resistance) : $\leq 10\text{m}\Omega$

绝缘电阻 (Insulation resistance) : $\geq 1000\text{M}\Omega$

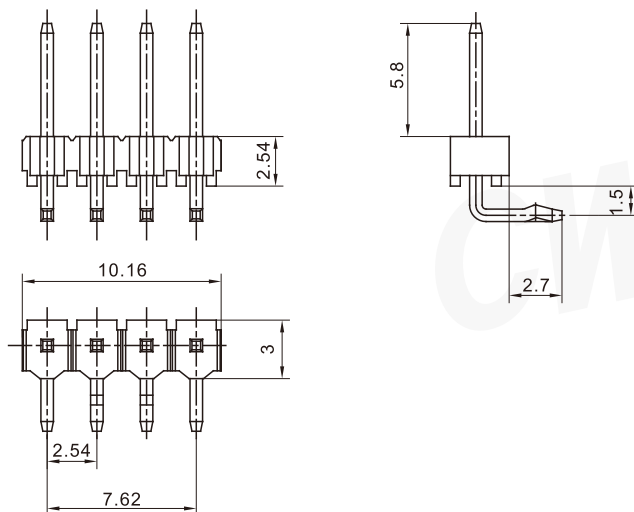
耐压 (Withstand voltage) : 800V AC/minute

材料 (Material) : PA66 UL94V-0;

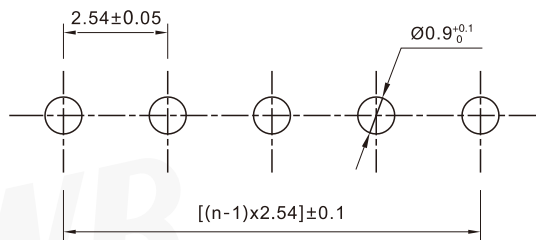
黄铜 镀锡 Brass Tin · Plated

认证 (Standards) :  E200881

阳连接器 (卧式, 直插, 含小弯) Header (H, DIP, W/Kink)



安装尺寸 Mounting Measurement



PCB Layout