
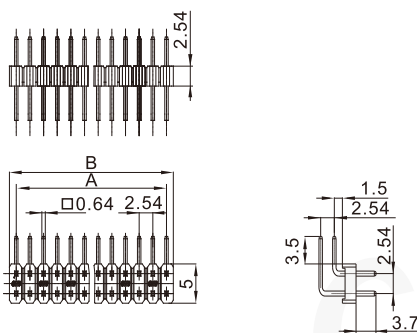


技术参数 (Specifications)

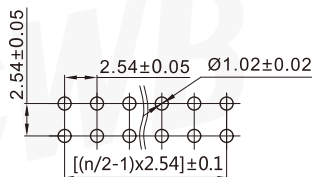
适应基板厚度 (Applicable PC board thickness) : 1.2~1.6mm
 温度范围 (Temperature range) : -25°C~85°C
 额定电压 (Voltage rating) : 250V AC/DC
 额定电流 (Current rating) : 3A
 接触电阻 (Contact resistance) : ≤10mΩ
 绝缘电阻 (Insulation resistance) : ≥1000MΩ
 耐压 (Withstand voltage) : 1000V AC/mintue
 认证 (Standards) :  E200881

阳连接器 (卧式, 直插) Header (H, DIP)

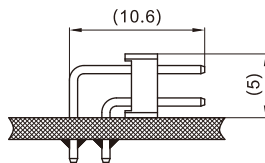


线数 Poles	型号 Type	尺寸Dimensions (mm)		线数 Poles	型号 Type	尺寸Dimensions (mm)	
	弯式(90°)	A	B		弯式(90°)	A	B
4	TJC25431-2X2AW	2.54	5.08	24	TJC25431-2X12AW	27.94	30.48
6	TJC25431-2X3AW	5.08	7.62	26	TJC25431-2X13AW	30.48	33.02
8	TJC25431-2X4AW	7.62	10.18	28	TJC25431-2X14AW	33.02	35.56
10	TJC25431-2X5AW	10.16	12.7	30	TJC25431-2X15AW	35.56	38.1
12	TJC25431-2X6AW	12.7	15.24	32	TJC25431-2X16AW	38.1	40.64
14	TJC25431-2X7AW	15.24	17.784	34	TJC25431-2X17AW	40.64	43.18
16	TJC25431-2X8AW	17.78	20.324	36	TJC25431-2X18AW	43.18	45.72
19	TJC25431-2X9AW	20.32	22.864	38	TJC25431-2X19AW	45.72	48.26
20	TJC25431-2X10AW	22.86	25.404	40	TJC25431-2X20AW	48.26	50.8
22	TJC25431-2X11AW	25.4	27.944				
材质 · 表面处理 Material and Finish							
PBT/PA UL94V-0 ; 黄铜 镀锡 Brass Tin · Plated							

安装尺寸 Mounting Measurement



PCB Layout



Assembly View (DIM FYI)