


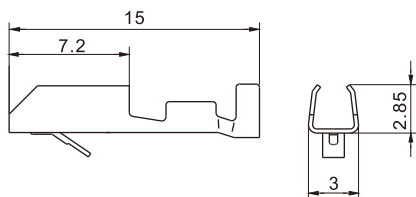


技术参数 ( Specifications )

适用线规 ( Applicable wires ) : AWG#24~AWG#20  
 适应基板厚度 ( Applicable PC board thickness ) : 1.6mm  
 温度范围 ( Temperature range ) : -25°C~85°C  
 额定电压 ( Voltage rating ) : 250V AC/DC  
 额定电流 ( Current rating ) : 2A  
 接触电阻 ( Contact resistance ) : ≤10mΩ  
 绝缘电阻 ( Insulation resistance ) : ≥1000MΩ  
 耐压 ( Withstand voltage ) : 1000V AC/minute

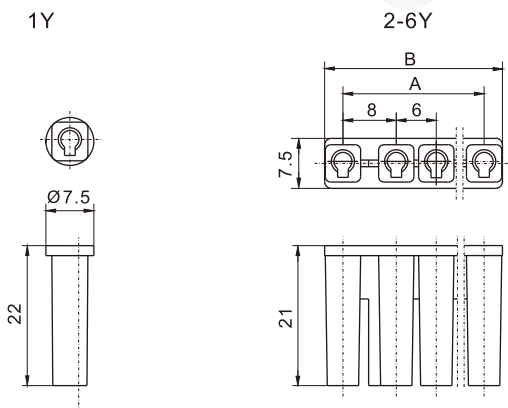
认证 ( Standards ) :  E200881

插簧 Contact



型号 Type	适用导线范围 Wire Range		导线外径 Wire ins.Dis
	mm <sup>2</sup>	AWG#	
CH-TJC1	0.22~0.5	24~20	1.4~1.8
材质 · 表面处理 Material and Finish			
磷青铜 镀锡 Phos · bronze Tin · Plated			

孔座 Housing



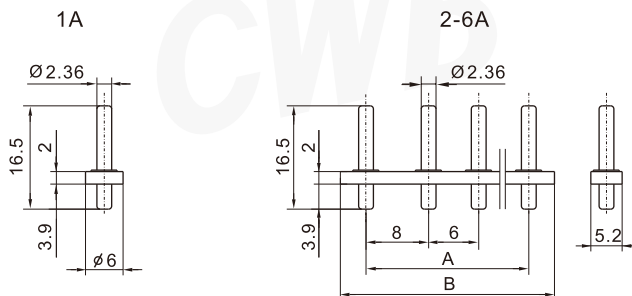
线数 Poles	型号 Type	尺寸 Dimensions(mm)	
		A	B
1	TJC4-1Y	/	/
2	TJC4-2Y	8.0	13.5
3	TJC4-3Y	14.0	19.5
4	TJC4-4Y	20.0	25.5
5	TJC4-5Y	26.0	31.5
6	TJC4-6Y	32.0	37.5
材质 Material		PA66 PC/PET PPO	UL94V-2 UL94V-0 UL94V-0

# TJC4 型条形连接器

## TJC4 Bar Connector

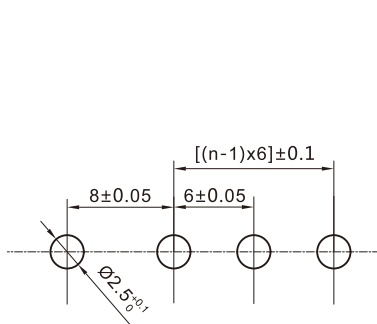
间距 ( space ) :8-6...6mm

### 阳连接器 (立式, 直插) Header (V, DIP)

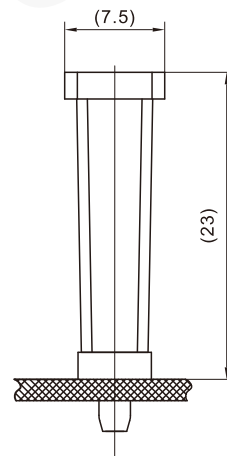


线数 Poles	型号 Type	尺寸 Dimensions(mm)	
		A	B
1	TJC4-1A	/	/
2	TJC4-2A	8.0	16.0
3	TJC4-3A	14.0	22.0
4	TJC4-4A	20.0	28.0
5	TJC4-5A	26.0	34.0
6	TJC4-6A	32.0	40.0
材质 · 表面处理 Material and Finish			
PBT UL94V-0; 黄铜 镀锡 Brass Tin · Plated			

### 安装尺寸 Mounting Measurement



PCB Layout



Assembly View (DIM FYI)