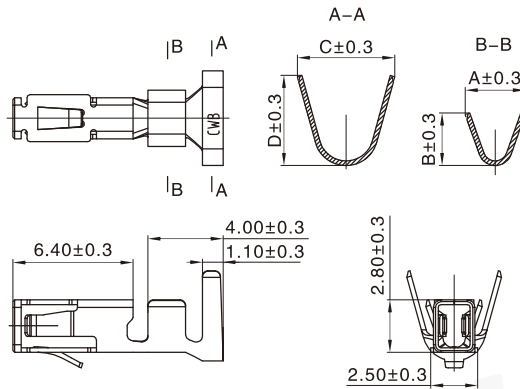


技术参数 (Specifications)

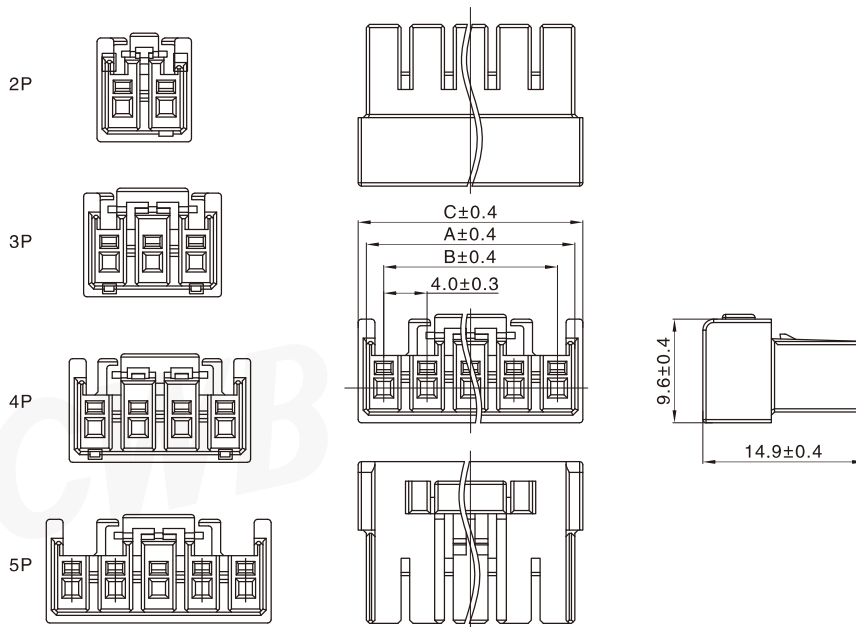
适用线规 (Applicable wires) : AWG#26~AWG#16
 温度范围 (Temperature range) : -25°C~105°C
 额定电压 (Voltage rating) : 300V AC/DC
 额定电流 (Current rating) : 12A
 接触电阻 (Contact resistance) : ≤10mΩ
 绝缘电阻 (Insulation resistance) : ≥1000MΩ
 耐电压 (Withstand voltage) : 1500V AC/minute

插簧 Contact



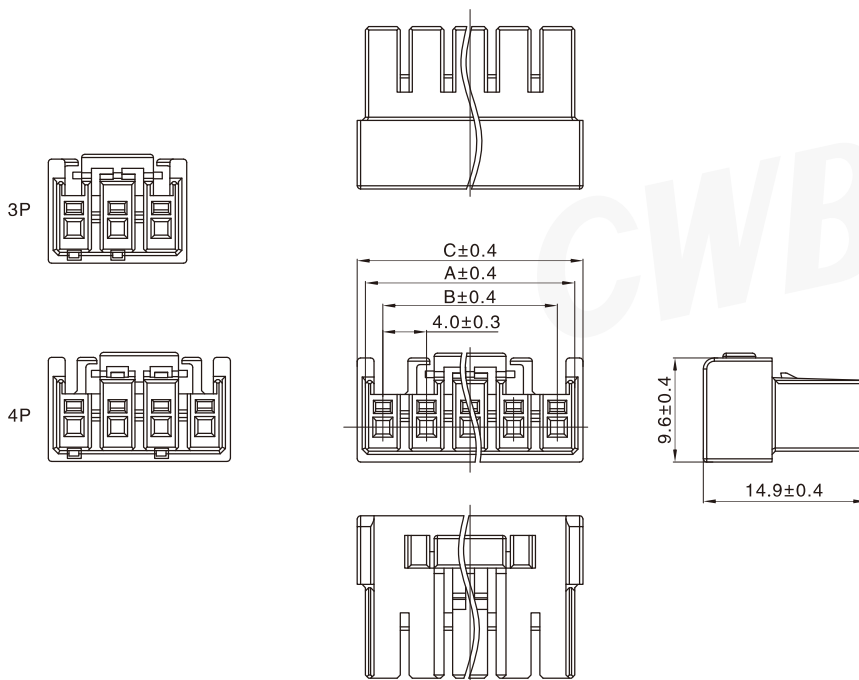
型号 Type	适用导线范围 Wire Range		导线外径 Wire ins. Dis	尺寸 Dimensions (mm)			
	mm ²	AWG#		A	B	C	D
CH-TJC4001	0.13~0.33	26~22	1.3~2.40	2.00	1.85	5.2	4.8
CH-TJC4001-1	0.52~1.31	20~16	1.7~3.2	3.2	2.8	5.2	4.8
材质·表面处理 Material and Finish							
铜合金 镀锡 Copper alloy Tin·Plated							

孔座 Housing



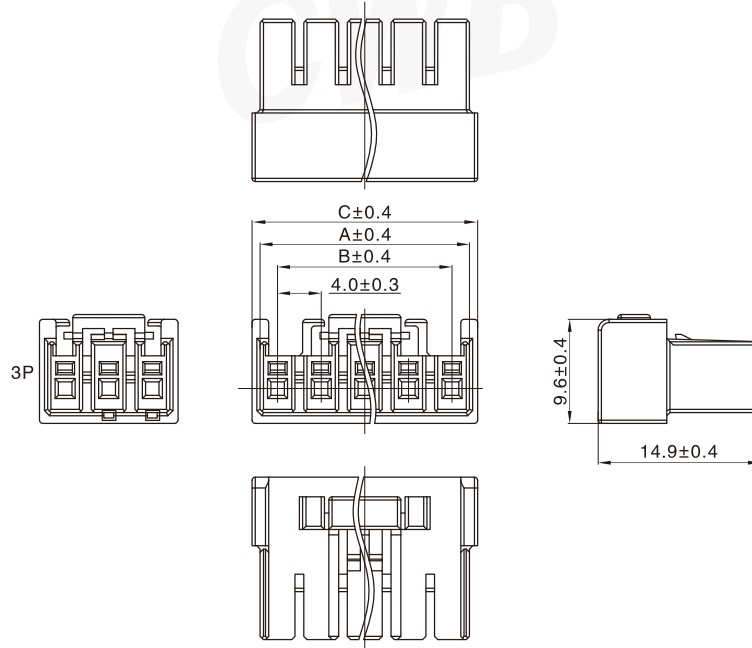
线数 Poles	型号 Type	尺寸 Dimensions (mm)		
		A	B	C
2	TJC4001-2Y	7.2	4.00	4.00
3	TJC4001-3Y	11.2	8.00	8.00
4	TJC4001-4Y	15.2	12.0	12.0
5	TJC4001-5Y	19.2	16.0	16.0
材质 Material				
PBT+GF UL94V-0				

孔座 (B型) Housing (Type B)



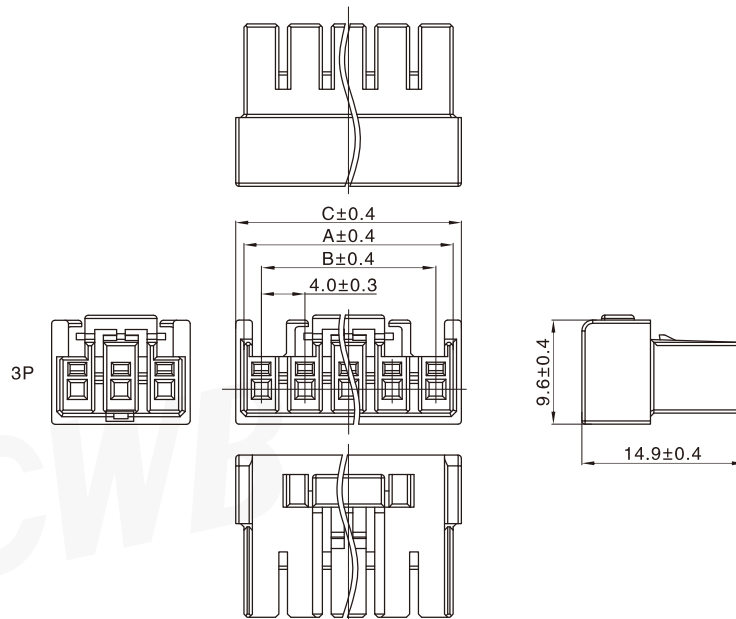
线数 Poles	型号 Type	尺寸 Dimensions (mm)		
		A	B	C
3	TJC4001B-3Y	11.2	8.00	12.7
4	TJC4001B-4Y	15.2	12.0	16.7
材质 Material				
PBT+GF UL94V-0				

孔座 (C型) Housing (Type C)



线数 Poles	型号 Type	尺寸 Dimensions (mm)		
		A	B	C
3	TJC4001C-3Y	11.2	8.00	12.7
材质 Material				
PBT+GF UL94V-0				

孔座 (D型) Housing (Type D)



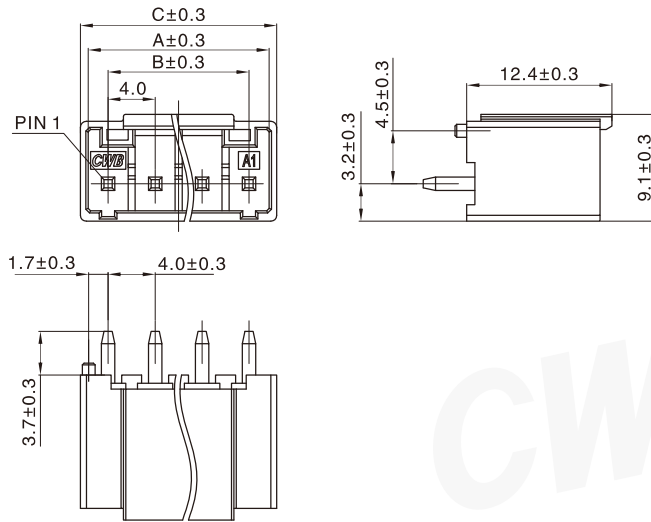
TJC4001 型条形连接器

TJC4001 Bar Connector

间距 (space) :4.0mm

线数 Poles	型号 Type	尺寸 Dimensions (mm)		
		A	B	C
3	TJC4001D-3Y	11.2	8.00	12.7
材质 Material				
PBT+GF UL94V-0				

阳连接器 (立式, 直插, 带定位柱) Header (V, DIP, W/Boss)



	TYPE A	TYPE B	TYPE C	TYPE D
2P				
3P				
4P				
5P				

TJC4001 型条形连接器

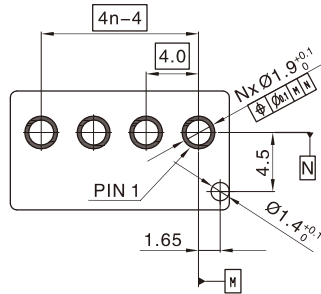
TJC4001 Bar Connector

间距 (space) :4.0mm

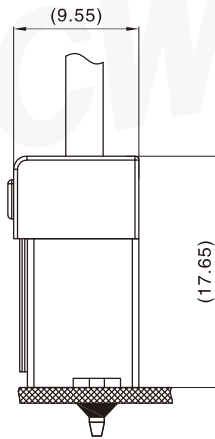
线数 Poles	型号 Type	尺寸 Dimensions (mm)		
		A	B	C
2	TJC4001-2AD	7.4	4.00	8.7
3	TJC4001-3AD	11.4	8.00	12.7
4	TJC4001-4AD	15.4	12.00	16.7
5	TJC4001-5AD	19.4	16.00	20.7
3	TJC4001B-3AD	11.4	8.00	12.7
4	TJC4001B-4AD	15.4	12.00	16.7
3	TJC4001C-3AD	11.4	8.00	12.7
3	TJC4001D-3AD	11.4	8.00	12.7
材质 · 表面处理 Material and Finish				
PA66+GF UL94 V-0; 黄铜 镀锡 Brass Tin · Plated				

安装尺寸 Mounting Measurement

TJC4001-nAD



PCB Layout



Assembly View
(TJC4001*-nY&TJC4001x-nAD)
(FYI)

CWB