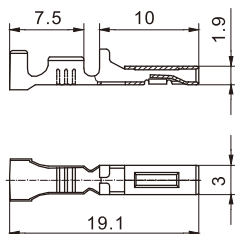


技术参数 (Specifications)

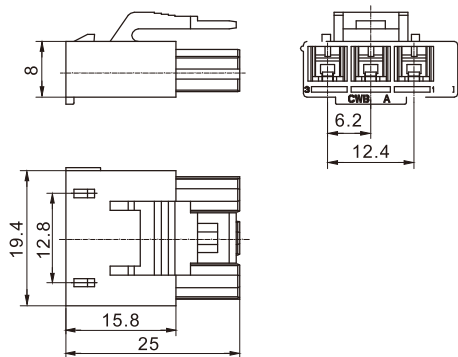
适用线规 (Applicable wires) : AWG#22~AWG#20
 温度范围 (Temperature range) : -25°C~85°C
 额定电压 (Voltage rating) : 250V AC/DC
 额定电流 (Current rating) : 4A
 接触电阻 (Contact resistance) : $\leq 20m\Omega$
 绝缘电阻 (Insulation resistance) : $\geq 1000M\Omega$
 耐压 (Withstand voltage) : 2200V AC/minute

插簧 Contact

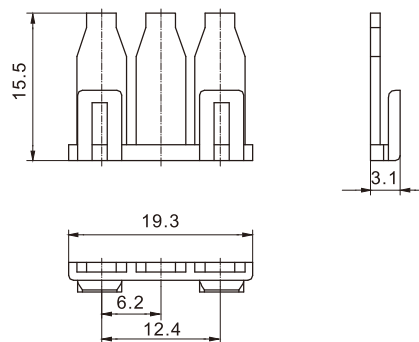


型号 Type	适用导线范围 Wire Range		导线外径 Wire ins.Dis
	mm ²	AWG#	
CH-TJC6202	1.04~1.66	20+20 or 18+22 18+18 or 18+20	/
CH-TJC6202-1	0.33~0.5	22~20	1.6~2.55
材质·表面处理 Material and Finish			
磷青铜 镀锡 Phos·bronze Tin·Plated			

孔座 (含锁紧片保持结构) Housing (W/Retainer)



锁紧片 Retainer



线数 Poles	型号 Type	
	孔座 Housing	锁紧片 Retainer
3	TJC6202-3Y	TJC6202-3YS
材质 Material	PC/PET UL94V-0	PA66 UL94V-0