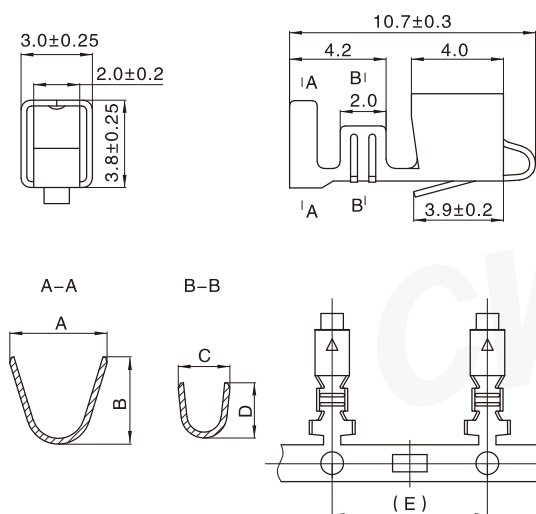




技术参数 (Specifications)

- 适用线规 (Applicable wires) : AWG#24~ AWG#16
- 适应基板厚度 (Applicable PC board thickness) : 1.6 mm
- 温度范围 (Temperature range) : -25°C~85°C
- 额定电压 (Voltage rating) : 250V AC/DC
- 额定电流 (Current rating) : 8A
- 接触电阻 (Contact resistance) : $\leq 10m\Omega$
- 绝缘电阻 (Insulation resistance) : $\geq 1000M\Omega$
- 耐电压 (Withstand voltage) : 2000V AC/minute

插簧 Contact



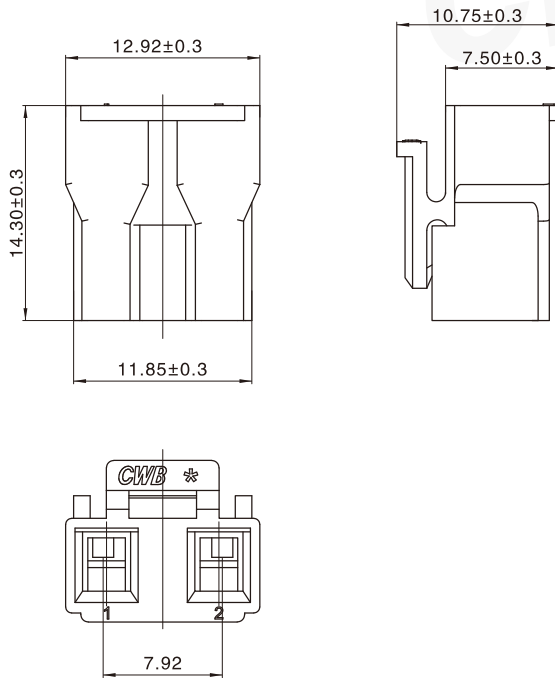
型号 Type	适用导线范围 Wire Range	导线外径 Wire ins. Dis	尺寸 Dimensions (mm)				
			A	B	C	D	E
CH-VH	AWG#20~ AWG#18 (0.52 mm ² ~0.82 mm ²)	1.75~2.85	4.0	3.8	2.6	2.3	13
CH-VHB	AWG#20~ AWG#18 (0.52 mm ² ~0.82 mm ²)	1.75~2.85	4.0	3.8	2.7	2.2	13.5
CH-VH-1	AWG#18~ AWG#16 (0.82 mm ² ~1.31 mm ²)	2.0~2.85	4.3	4.25	2.85	2.95	13
CH-VH-3	AWG#18(0.82mm ²) RV-90 0.75mm ²	2.0~2.85	4.2	4.1	2.7	2.4	13
CH-VH-4	AWG#24 ~ AWG#22 (0.20 mm ² ~0.33 mm ²)	1.4~2.4	4.0	3.8	2.05	1.45	13
材质 · 表面处理 Material and Finish							
铜合金 镀锡 Copper alloy Tin · Plated							

TJC79204 型条形连接器

TJC79204 Bar Connector

间距 (space) :7.92mm

孔座 (带锁扣) Housing (W/Lock)



线数 Poles	型号 Type
2	TJC79204-2Y
材质 Material	
PA66 UL94 V-0	

CWB