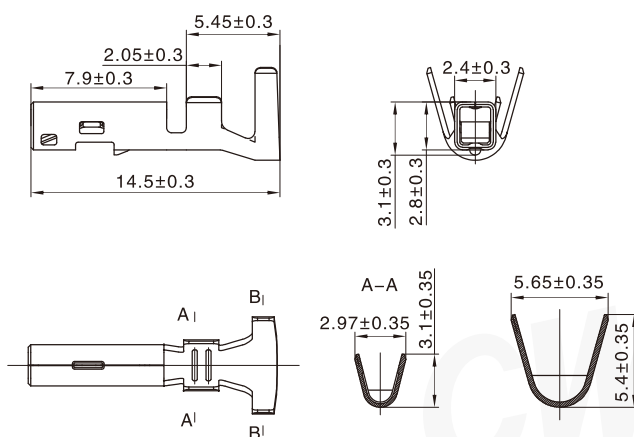


技术参数 (Specifications)

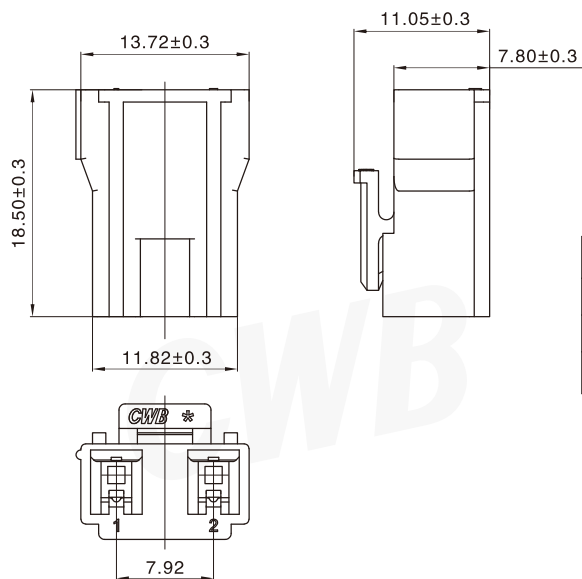
- 适用线规 (Applicable wires) : AWG#20~AWG#16
- 适应基板厚度 (Applicable PC board thickness) : 1.6 mm
- 温度范围 (Temperature range) : -25°C~85°C
- 额定电压 (Voltage rating) : 250V AC/DC
- 额定电流 (Current rating) : 12A (AWG#16)
- 接触电阻 (Contact resistance) : ≤10mΩ
- 绝缘电阻 (Insulation resistance) : ≥1000MΩ
- 耐电压 (Withstand voltage) : 2000V AC/minute

插簧 Contact



| 型号 Type | 适用导线范围 Wire Range | | 导线外径 Wire ins.Dis |
|-------------------------------|-------------------|---------|----------------------|
| | mm ² | AWG# | |
| CH-TJC79205 | 0.52 ~ 1.31 | 20 ~ 16 | 2.7 ~ 3.9 |
| 材质·表面处理 Material and Finish | | | |
| 磷青铜 镀锡 Phos·bronze Tin·Plated | | | |

孔座 Housing



| 线数 Poles | 型号 Type |
|---------------|-------------|
| 2 | TJC79205-2Y |
| 材质 Material | |
| PA66 UL94 V-0 | |