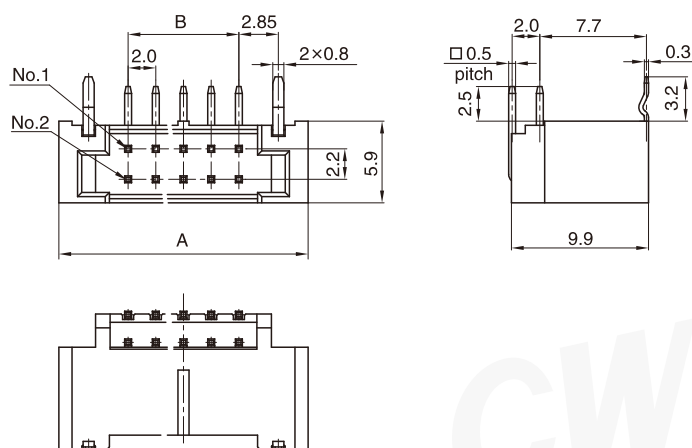


技术参数 (Specifications)

适应基板厚度 (Applicable PC board thickness) : 1.2 ~ 1.6 mm
 温度范围 (Temperature range) : -25°C~85°C
 额定电压 (Voltage rating) : 250V AC/DC
 额定电流 (Current rating) : 3A
 接触电阻 (Contact resistance) : $\leq 30\text{m}\Omega$
 绝缘电阻 (Insulation resistance) : $\geq 1000\text{M}\Omega$
 耐压 (Withstand voltage) : 1000V AC/minute

阳连接器 (卧式, 穿孔回流) Header (H, PIP)



线数 Poles	型号Type	尺寸Dimensions (mm)	
		A	B
10	WB20J-010-176	18	8
12	WB20J-012-176	20	10
14	WB20J-014-176	22	12
16	WB20J-016-176	24	14
18	WB20J-018-176	26	16
22	WB20J-022-176	30	20
材质 · 表面处理 Material and Finish			
LCP UL94V-0; 黄铜 镀锡 Brass Tin · Plated			

安装尺寸 Mounting Measurement

